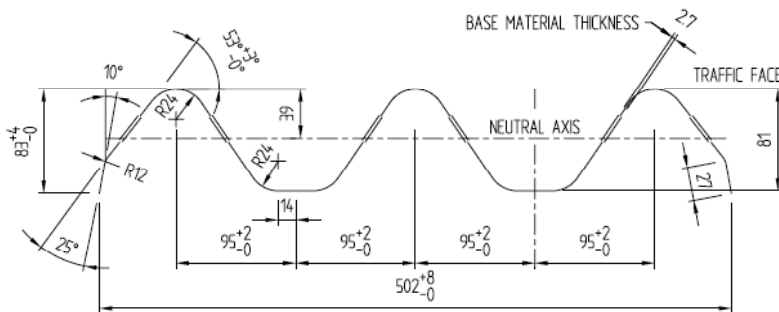


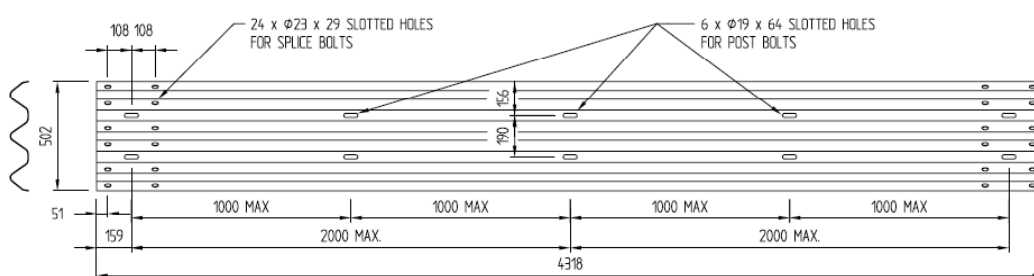
Thriebeam™ Physical Properties

Steel Thickness	(mm)	2.7
Beam Width Minimum	(mm)	508
Beam Depth Minimum	(mm)	76
Area of Cross Section	(mm ²)	2013
Section Modulus	(mm ³)	36400
Mass	(kg per metre)	16.7

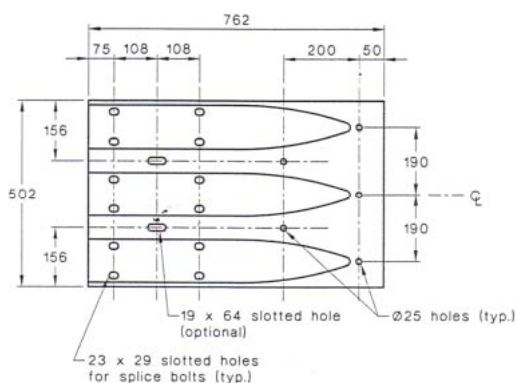
Profile



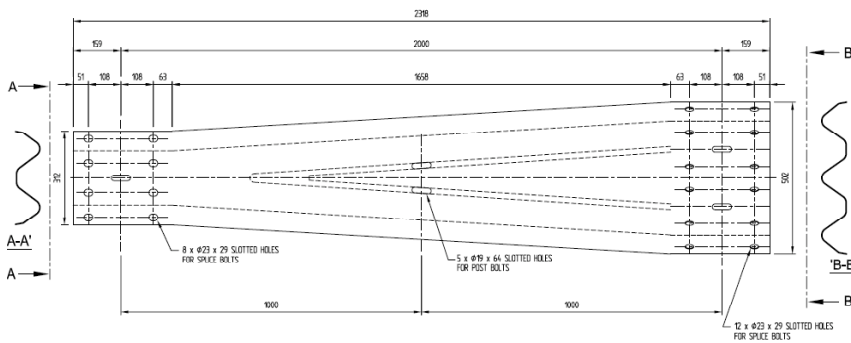
Rail Elevation



Structure Connector

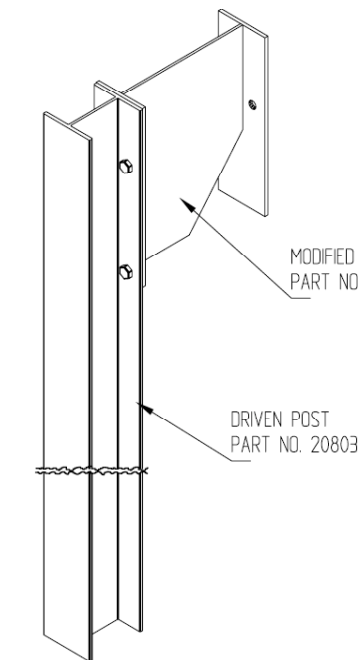


Transition Section

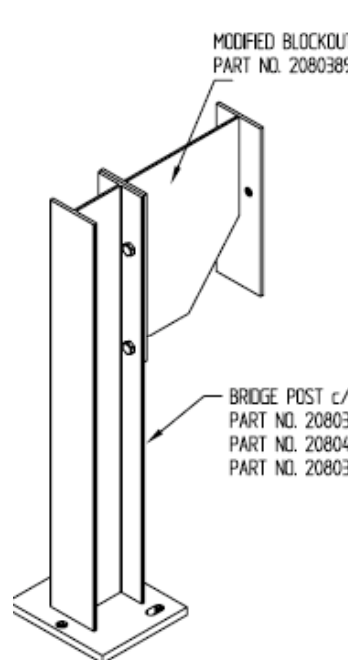


Post Details

Driven Post



Bridge Post



Timber

Post Detail

Timber Block Out
200x150x542 LONG

Timber Post
200x150x1980 LONG



Curved Thriebeam™

The standard straight section will align to give a smooth transition on curves with a radius greater than 45m. Pre-curved **Thriebeam™** is required for tighter radii and may be curved to traffic face concave or convex - see table below. NB: Lead-time for curved Thriebeam is a minimum of 6 weeks

Thriebeam Curving Schedule			
R (metres)	α (Deg)	C (m)	H (mm)
3	76.3944	3.710	642
4	57.2958	3.835	490
5	45.8366	3.894	395
6	38.1972	3.926	330
7	32.7404	3.945	284
8	28.6479	3.958	249
9	25.4648	3.967	221
10	22.9183	3.973	199
12	19.0989	3.982	166
14	16.3702	3.986	143
16	14.3239	3.990	125
20	11.4592	3.993	100
23	9.9645	3.994	87
29	7.9029	3.997	69
32	7.1620	3.997	62
35	6.5481	3.997	57
41	5.5898	3.998	49
46	4.9822	3.999	43

Curved Thriebeam

