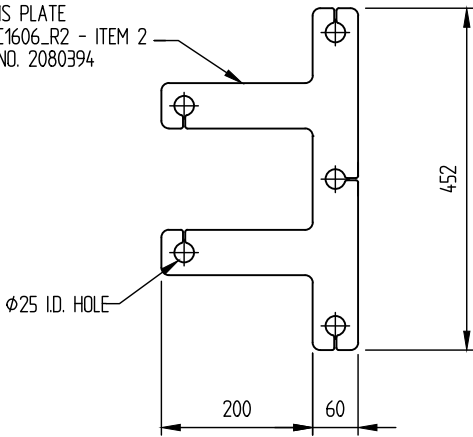
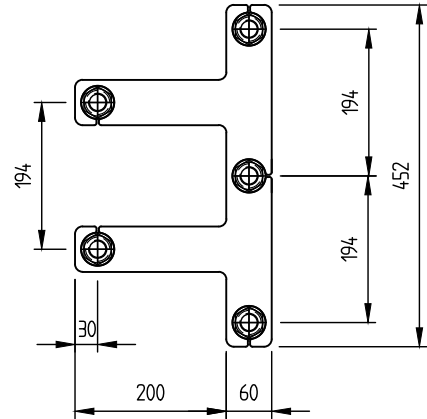


Revision	Rev. Date	Changes Made
1	SB 10-09-04	CHANGED THE PC REVISION No.
2	SB 09-11-05	Drawing Updated
3	SB 04-12-07	Part no. of M24 nut modified
4	SB 03-05-10	Bolt distance changed to 194mm as per AASHTO dwg
5	LA 26-01-17	Added Bolt grade 4.6.
6	SK 25-09-18	Amended M24bolt description, revised bolt grade to 8.8

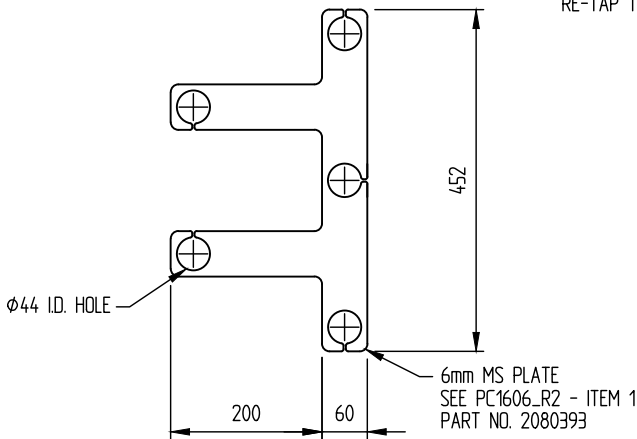
3mm MS PLATE  
SEE PC1606\_R2 - ITEM 2  
PART NO. 2080394



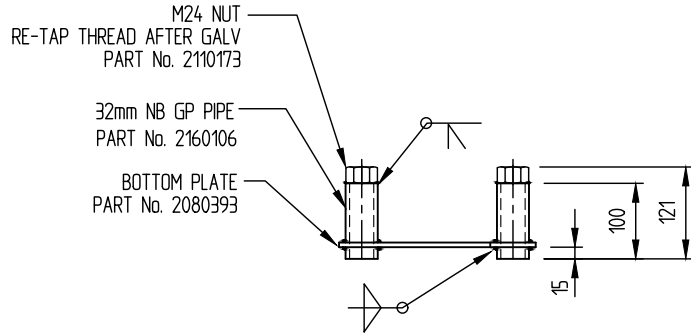
PLAN - 3mm TEMPLATE  
(SCALE 1:10)



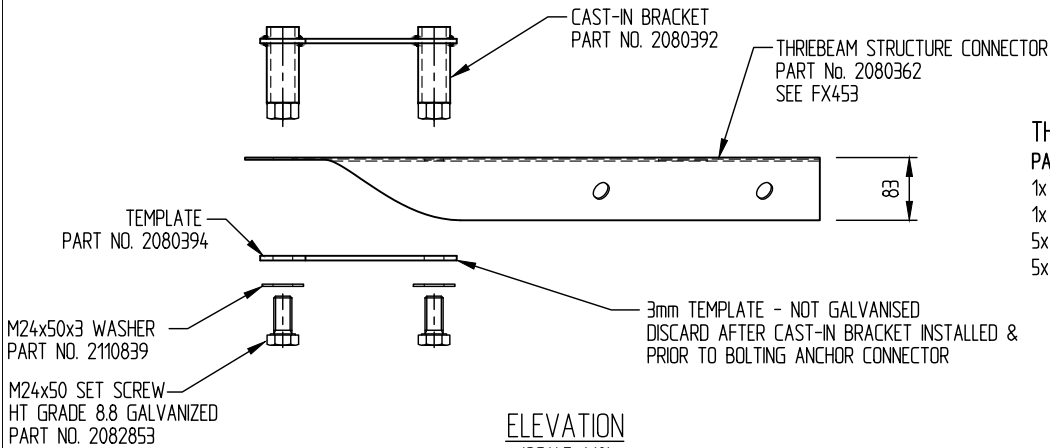
PLAN  
CAST IN BRACKET PART NO. 2080392  
(SCALE 1:10)



PLAN - 6mm BOTTOM PLATE  
(SCALE 1:10)



ELEVATION  
CAST IN BRACKET PART NO. 2080392  
(SCALE 1:10)



ELEVATION  
(SCALE 1:10)  
ASSEMBLY PART NO. 2080391

THRIEBEAM CAST-IN BRACKET ASSEMBLY  
PART NO. 2080395 CONSISTS OF:  
1x 2080392 THRIEBEAM CAST-IN BRACKET  
1x 2080394 THRIEBEAM CAST-IN BRACKET TEMPLATE  
5x 2110839 PS WASHER M24x50x3 GALV  
5x 2111170 PS ENGG BOLT+NUT M24x50 Gr. 4.6 GALV.

NOTES:

1. GALVANIZED WEIGHT = 13.1Kg
2. DO NOT GALVANIZE TEMPLATE
3. SEE FX453 FOR STRUCTURE CONNECTOR



306 Neilson Street,  
Onehunga, Auckland  
PO Box 12 949, Penrose  
Auckland, New Zealand  
Telephone 09-634 1239  
Facsimile 09-634 4525  
www.cspacific.co.nz

THRIEBEAM STRUCTURE CONNECTOR ASSEMBLY  
PART No. 2080391

STANDARD STRUCTURE CONNECTOR  
PART No. 2080362  
THRIEBEAM CAST-IN BRACKET ASSEMBLY  
PART No. 2080395

Drawn by	ELI	Date	30/08/02
Checked	SW	Scale A4	1 : 10
Reference No.			
Drawing no.	FX461	Rev. No.	6