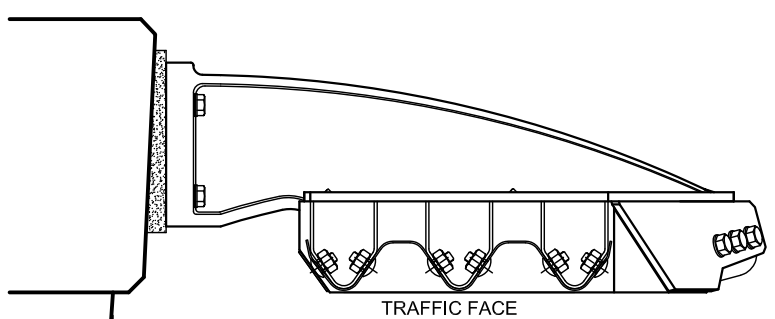
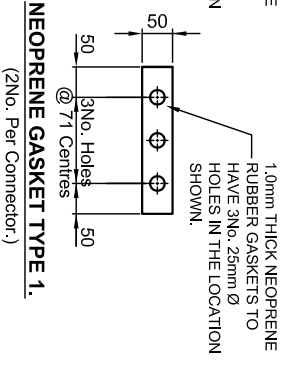
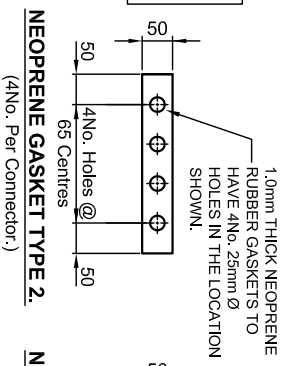
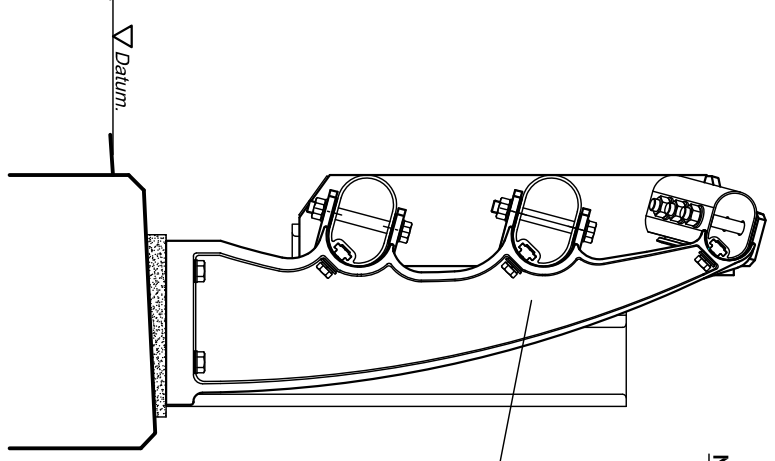


FIXINGS FOR CONNECTION OF THREE BEAM GUARDRAIL TO GUARDRAIL CONNECTOR PLATE TO BE SUPPLIED BY SAFETY FENCE CONTRACTOR.

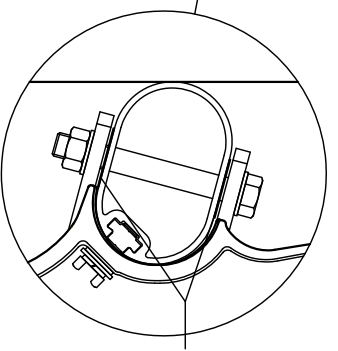


GUARDRAIL CONNECTOR PLATE AND FIXINGS FOR CONNECTION TO THE ALUMINIUM PARAPET ARE TO BE SUPPLIED BY THE PARAPET SUPPLIER.

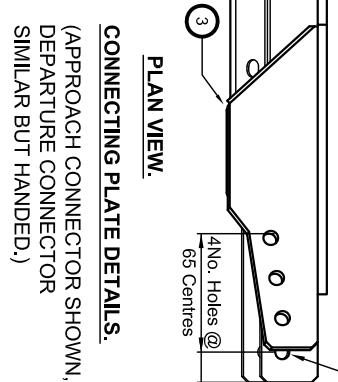
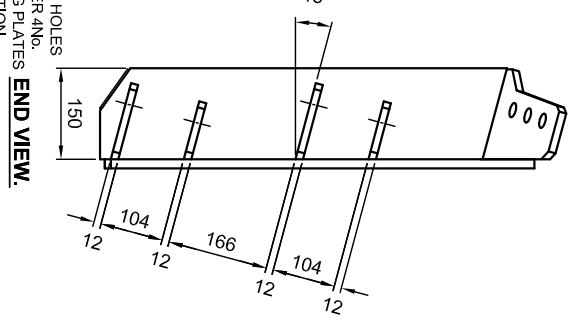
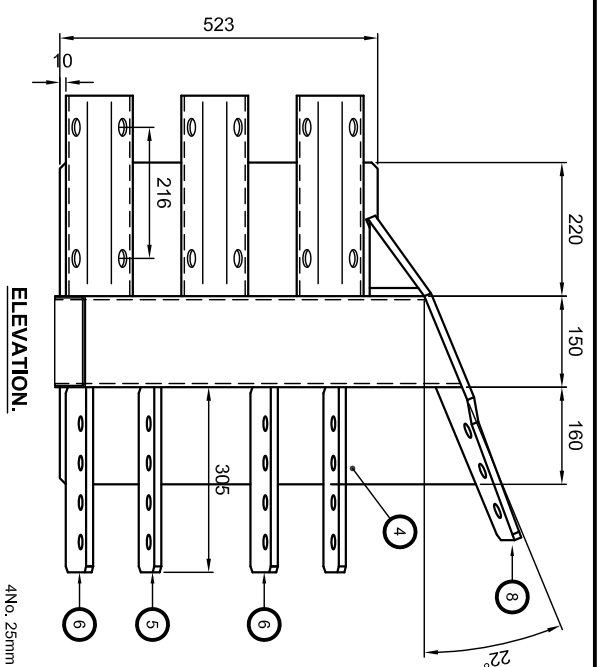
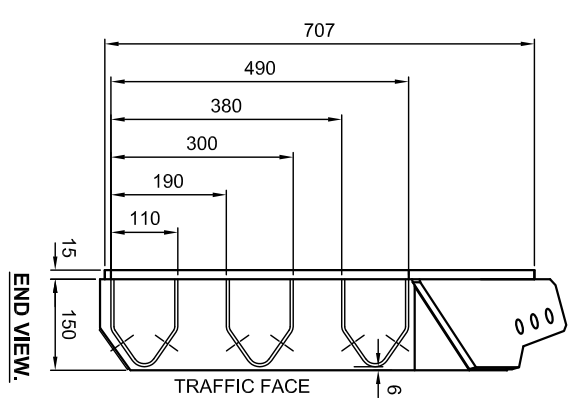


SAFETY FENCE CONNECTOR TO BE GALVANISED TO BS.EN.ISO.1461 AFTER FABRICATION.

NEOPRENE RUBBER GASKETS TO BE PLACED BETWEEN THE ALUMINIUM RAILS AND THE GALVANISED STEEL GUARDRAIL CONNECTING PLATES.



GUARDRAIL CONNECTOR ATTACHED TO THE VGAN 300 SERIES ALUMINIUM PARAPET SYSTEM WITH M20 x 120 (TOP RAIL) AND 160 LONG HEXAGONAL HEAD GALVANISED STEEL BOLTS c/w 1No. M20 HEXAGONAL NUT AND 2No. FORM 'E' FLAT WASHERS TIGHTENED TO A TORQUE BETWEEN 100 AND 120 Nm.



NOTES:
1/ SHS SECTIONS TO BE GRADE S355J0 TO BS.EN.10210. FLAT SECTIONS TO BE GRADE S355J0 TO BS.EN.10025.
2/ M20 BOLTS TO BE GRADE 8.8 TO BS.EN.ISO.4014. M20 HEX NUTS TO BE GRADE 10 TO BS.EN.ISO.4032 AND M20 WASHERS TO BE FORM 'E' TO BS.4320.
3/ GUARDRAIL CONNECTOR TO BE WELDED IN ACCORDANCE WITH BS.EN.10111-1 AND BS.EN.10111-2.

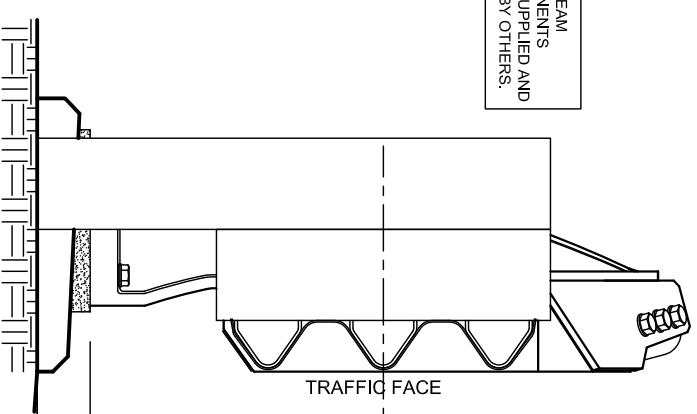
SECTION A-A.

SECTION B-B.

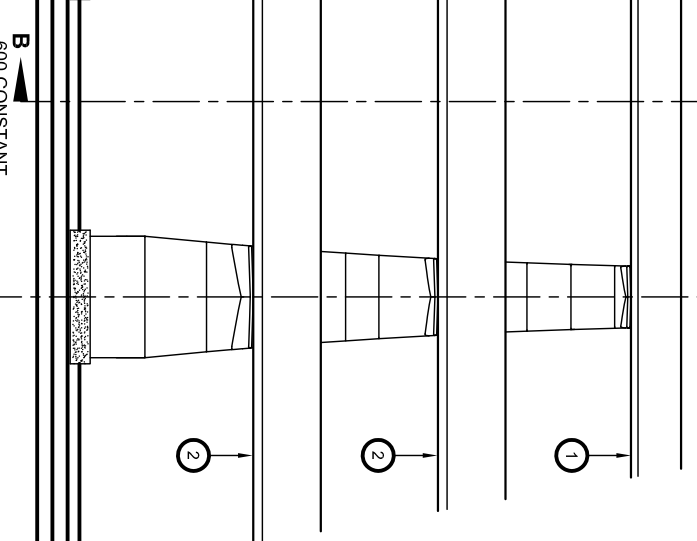
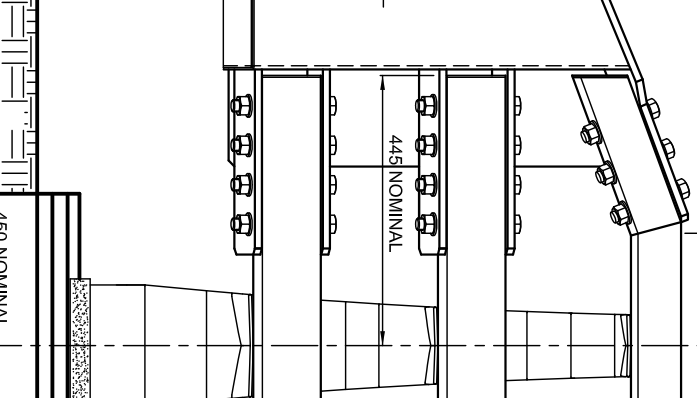
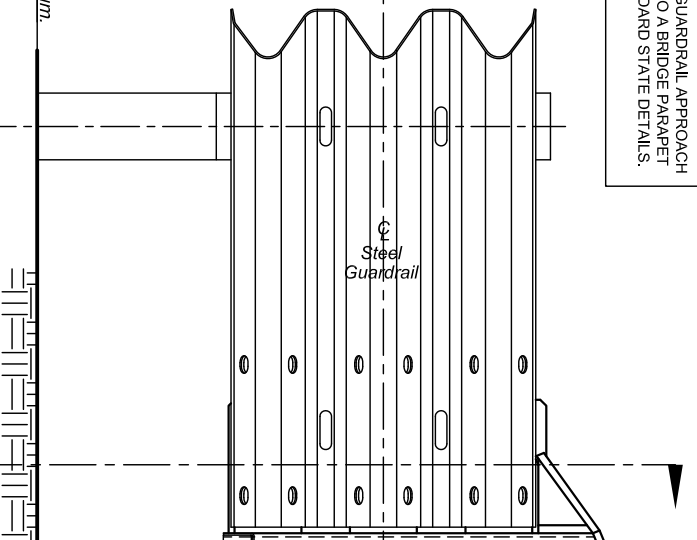
PLAN VIEW ON TOP RAIL.

PLAN VIEW.

THREE BEAM COMPONENTS TO BE SUPPLIED AND FITTED BY OTHERS.



IMPORTANT.
SET OUT OF STEEL GUARDRAIL APPROACH AND DEPARTURES TO A BRIDGE PARAPET ARE TO BE AS STANDARD STATE DETAILS.



SECTION SCHEDULE		Rev	Date	By	Description
1	TOP RAIL SECTION 110994				MANUFACTURING TOLERANCES AS SHOWN UNLESS STATED OTHERWISE.
2	MAIN RAIL SECTION 110993				DIMENSIONS: TOLERANCES: GREATER THAN ± 2mm LESS THAN ± 1mm 1000mm ± 0'15'
3	VERTICAL CONNECTOR SECTION 150x150x6 RHS				NOTE: ALL ACCUMULATIVE TOLERANCES ARE TO BE CONTAINED WITHIN THE OVERALL TOLERANCE.
4	BRACING SECTION 76x65x30x15				SITE ERECTION TOLERANCES WILL VARY TO SUIT SITE CONDITIONS.
5	CONNECTING PLATES 100x112 FLAT				ALL STANDARDS QUOTED ARE DEEMED CURRENT AT THE DATE THE DRAWING IS ISSUED FOR APPROVAL, UNLESS OTHERWISE STATED.
6	CONNECTING PLATES 130x112 FLAT				THIS DRAWING TO BE USED ONLY WITH W/O No.
7	CONNECTING PLATES 110x112 FLAT				DRAWING TO BE RETURNED TO DRAWING OFFICE ON COMPLETION OF WORK.
8	SHAPED CONNECTING PLATES 145x112 FLAT				
SCALE		DATE	05/08/2012		
DRN		P.G.H.	CHK	D.V.C.	
TITLE		STANDARD ARRANGEMENT DRAWINGS OF VGAN 300 SERIES ALUMINIUM PARAPET CONNECTION TO THREE BEAM GUARDRAIL.			
DRAWING NUMBER		VGAN 300 (AP) - 05.			



Varley and Gulliver Steel Parapets
Marsh Road,
Middlesbrough TS1 5JS
Tel: 44 (0) 1642 245151
Fax: 44 (0) 1642 254350
Website: www.v-and-g.co.uk
A Division of Varley & Gulliver Limited.