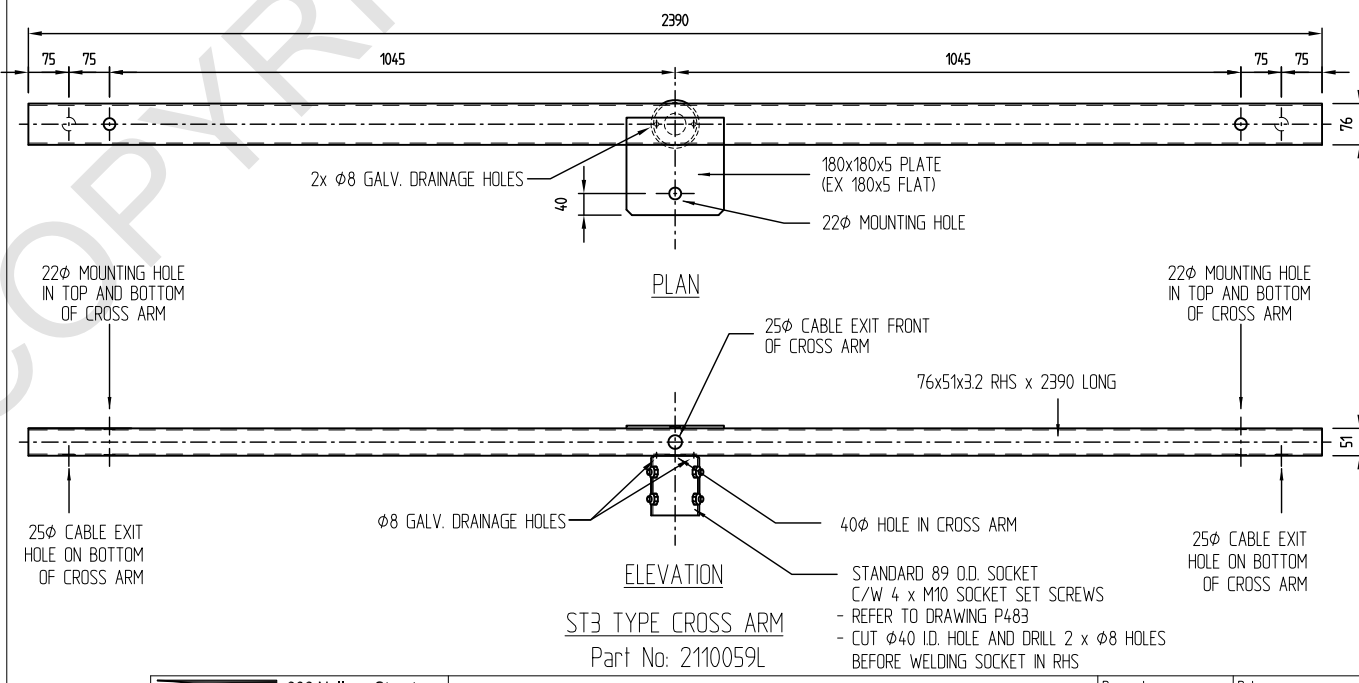
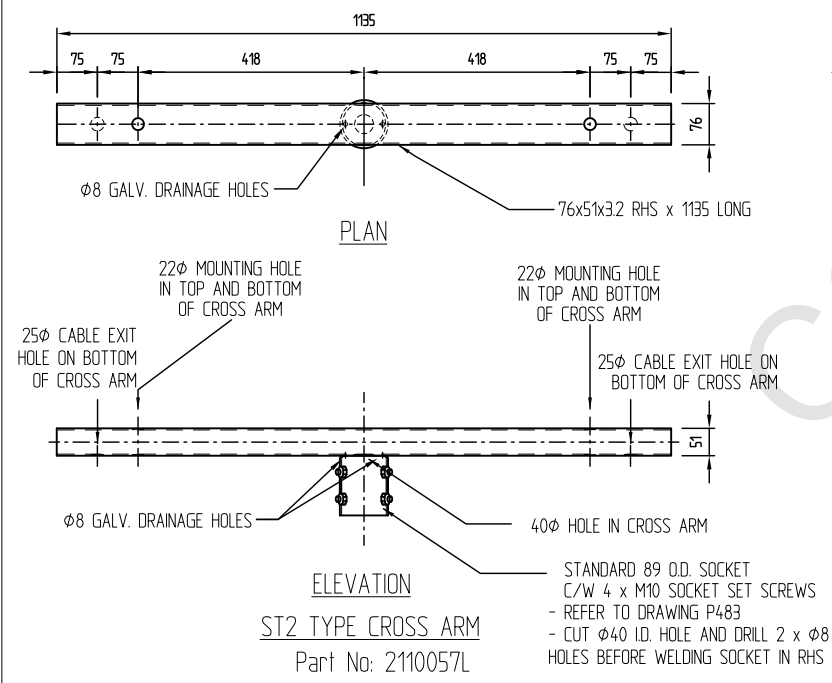
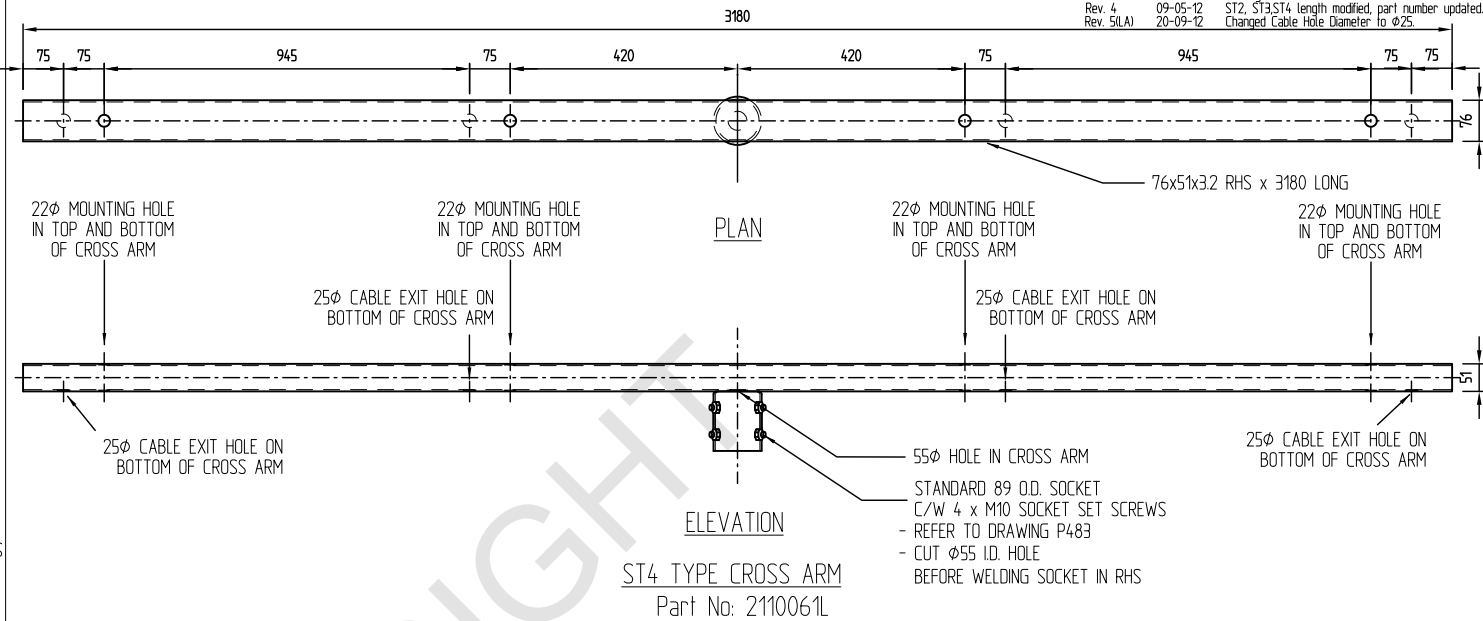
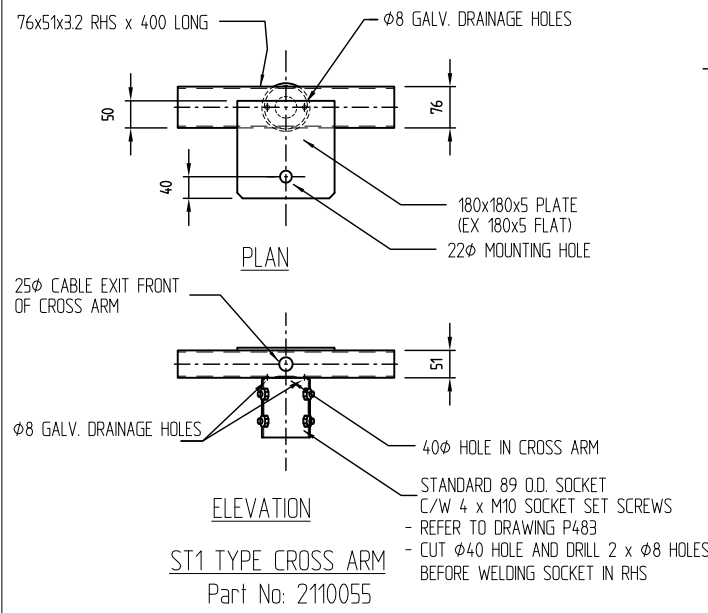


Revision	Rev. Date	Changes Made
REV 1	7/3/96	All Cable exit holes changed from 25φ to 22φ
REV 2	8-3-99	Times part No. to BPCS part No.
REV 3	06-05-04	Drainage Holes Added
REV 4	09-05-12	ST2, ST3&4 length modified, part number updated.
REV 5(LA)	20-09-12	Changed Cable Hole Diameter to φ25.



**NOTES:**

- SEE ALSO P484-1, P484-2, P484-3, P484-4
- FOR SOCKET DETAILS REFER TO P483

306 Neilson Street,  
Onehunga, Auckland  
PO Box 12 949, Penrose  
Auckland, New Zealand  
Telephone 09-634 1239  
Facsimile 09-634 4525  
www.cspacific.co.nz

Copyright: This design, information and drawing remain the property of CSP Pacific and may not be used or copied without approval in writing from CSP Pacific.

**STANDARD STIRRUP MOUNTED CROSS ARMS  
TYPE ST1, ST2, ST3 & ST4**

Drawn by	JPM	Date	27-7-94
Checked		Scale	A3 1 : 10
Reference No.			
Drawing no.	P611	Rev. No.	5