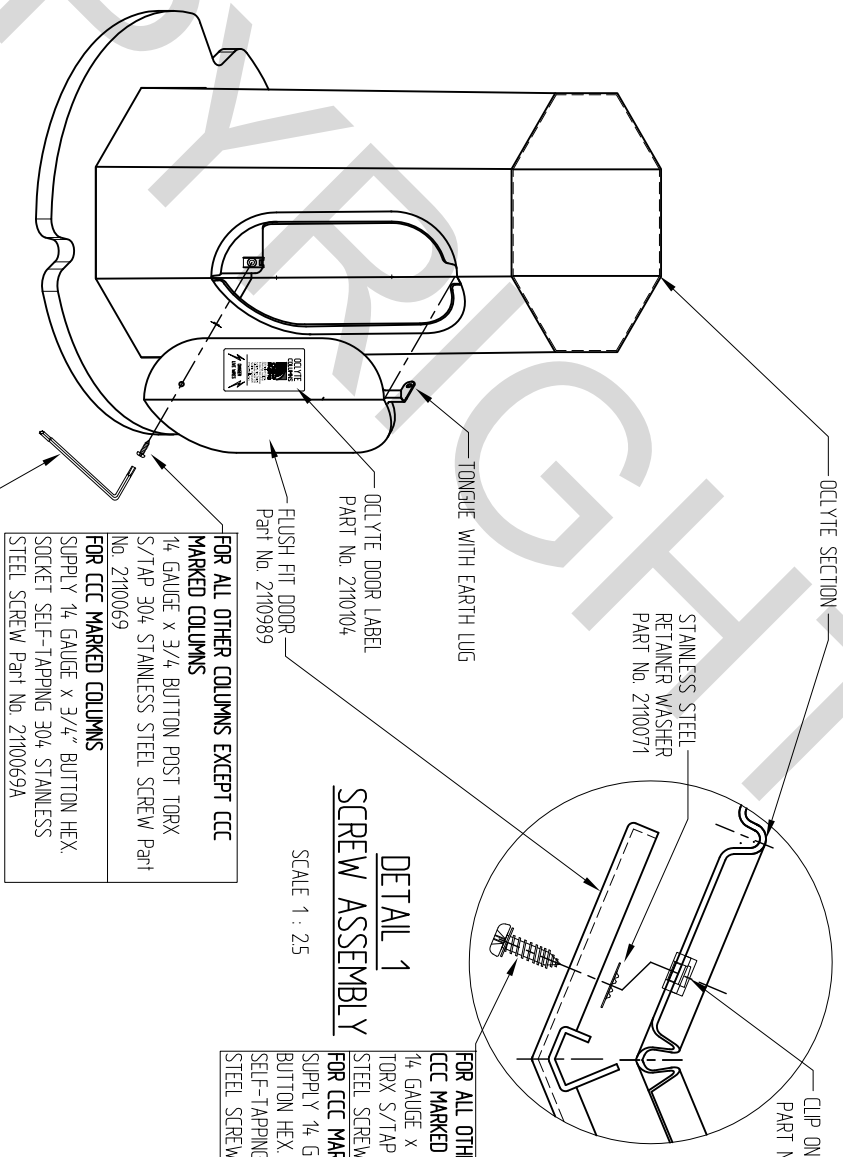


FRONT ELEVATION

SIDE ELEVATION

FLUSH GEAR DOOR DETAIL

SCALE 1 : 25



FLUSH GEAR DOOR ASSEMBLY

SCALE 1 : 25

DETAIL 1  
SCREW ASSEMBLY

SCALE 1 : 25

T27 POST TORX SECURITY ALLEN KEY  
PART No. 2110078  
FOR ALL OTHER COLUMNS EXCEPT CCC MARKED COLUMNS

FOR ALL OTHER COLUMNS EXCEPT CCC MARKED COLUMNS  
1/4 GAUGE X 3/4" BUTTON POST TORX S/TAP 304 STAINLESS STEEL SCREW Part No. 2110069  
FOR CCC MARKED COLUMNS  
SUPPLY 1/4 GAUGE X 3/4" BUTTON HEX SOCKET SELF-TAPPING 304 STAINLESS STEEL SCREW Part No. 2110069A

FOR ALL OTHER COLUMNS EXCEPT CCC MARKED COLUMNS  
1/4 GAUGE X 3/4" BUTTON POST TORX S/TAP 304 STAINLESS STEEL SCREW Part No. 2110069  
FOR CCC MARKED COLUMNS  
SUPPLY 1/4 GAUGE X 3/4" BUTTON HEX SOCKET SELF-TAPPING 304 STAINLESS STEEL SCREW Part No. 2110069A

NOTES  
1 GALV WEIGHT = 101 Kg

Revision	Rev. Date	Changes Made
Rev 1(SB)	30-04-04	NEW CSP LOGO INSERTED IN DOOR LABEL
Rev 2(SB)	22-11-07	Safety screw changed and allen key added
Rev 3(SB)	29-02-08	Safety screw and allen key part nos. added
Rev 4(LA)	03-10-11	Added Button Hex socket screw for CHCC columns
Rev 5(LA)	30-11-11	Added Button Hex socket screw part nos.
Rev 6(LA)	20-06-12	Updated notes specifying G10 screw allocation.

306 Neilson Street,  
Onehunga, Auckland  
PO Box 12 949, Pentose  
Auckland, New Zealand  
Telephone 09-634 4525  
Facsimile 09-634 4525  
www.cspacific.co.nz

OCLYTE 2mm FLUSH GEAR OPENING  
QUICK-OPENING CAPTIVE DOOR SCREW  
GENERAL ASSEMBLY DRAWING  
PART No. 2110989

Drawn by	Date
ELI	27/08/01
Checked	Scale A4
	AS SHOWN
Reference No.	
Drawing no.	P1935
Rev. No.	6

Copyright: This design, information and drawing remain the property of CSP Pacific and may not be used or copied without approval in writing from CSP Pacific.