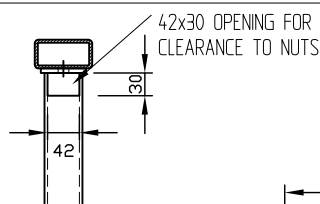
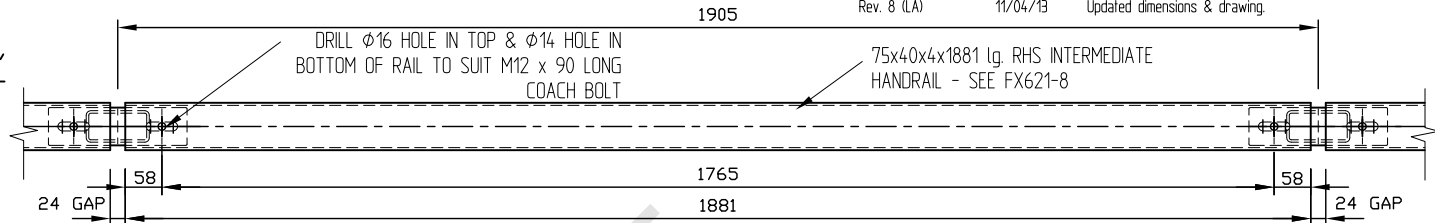


**POST ELEVATION**  
SCALE 1:10

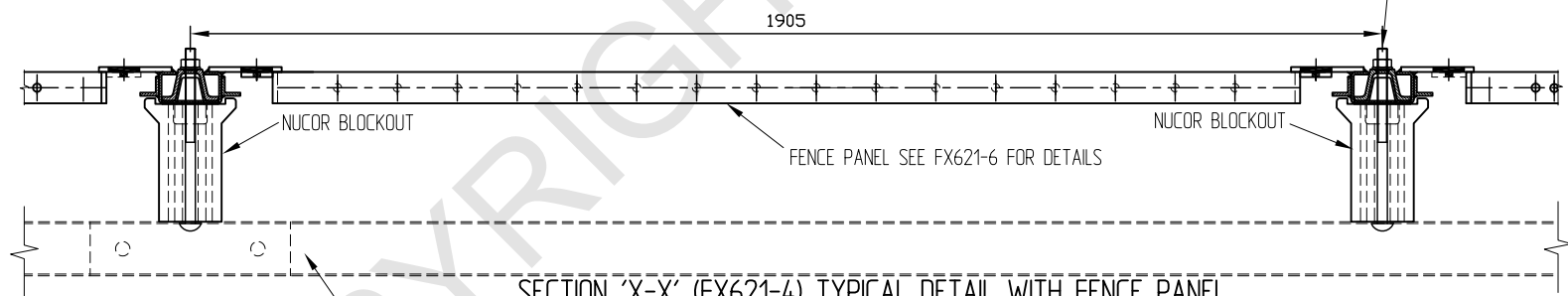


**SECTION 'B-B'**  
SCALE 1:10

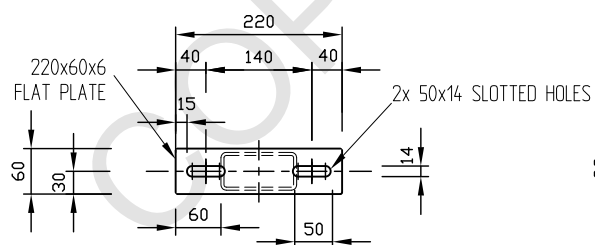


**SECTION 'W-W' (FX621-4) TYPICAL PLAN VIEW OF HANDRAIL ONLY**  
SCALE 1:12

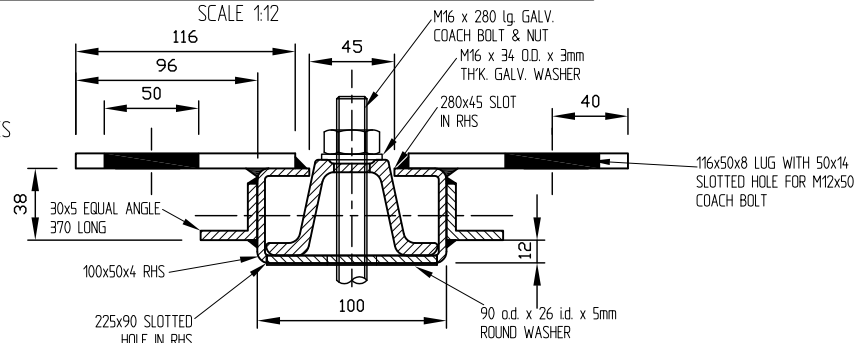
W-BEAM GUARDRAIL ATTACHED TO NUCOR POST & BLOCKOUT WITH M16 x 280 lg. COACH BOLT WITH 90 o.d. x 26 i.d. x 5mm ROUND GALVANIZED WASHER



**SECTION 'X-X' (FX621-4) TYPICAL DETAIL WITH FENCE PANEL**  
SCALE 1:12



**TOP PLATE DETAILS - TYPICAL PLAN**  
SCALE 1:10



**SECTION 'A-A' - TYPICAL**  
SCALE 1:4

**NOTES:**  
1. ALL MATERIAL GRADE 250 MINIMUM.  
2. HOT DIP GALVANIZE TO AS/NZS 4680

ALSO SEE FX621-1, FX621-2, FX621-3, FX621-4, FX621-6, FX621-7 & FX621-8 FOR OTHER DETAILS



306 Neilson Street,  
Onehunga, Auckland  
PO Box 12 949, Penrose  
Auckland, New Zealand  
Telephone 09-634 1239  
Facsimile 09-634 4525  
www.cspacific.co.nz

Copyright: This design information and drawing remain the property of CSP Pacific and may not be used or copied without approval in writing from CSP Pacific.

NU-GUARD PVB GUARDRAIL SYSTEM

POST & SECTIONAL DETAILS

Drawn by	SB	Date	16/02/12
Checked		Scale	A4 AS NOTED
Reference No.			
Drawing no.	FX621-5	Rev. No.	8

Revision	Rev. Date	Changes Made
Rev. 1 (SB)	23/02/12	Washer removed.
Rev. 2 (LA)	11/05/12	Modified Post & Fence Panel to suit regulations.
Rev. 3 (LA)	20/07/12	Changed NUCOR post description & Barrier tile.
Rev. 4 (LA)	09/08/12	Updated drawings.
Rev. 5 (GHD)	08/11/12	Updated drawings (DRAFT).
Rev. 6 (GHD)	15/11/12	Updated drawings.
Rev. 7 (LA)	14/12/12	Updated drawing & changed drawing no.
Rev. 8 (LA)	11/04/13	Updated dimensions & drawing.