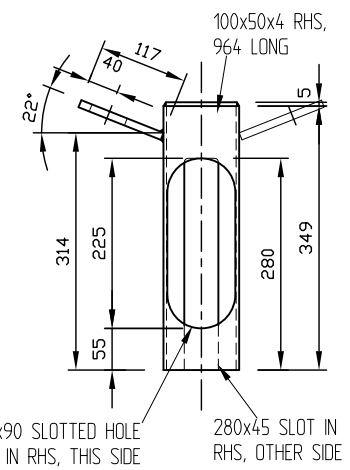
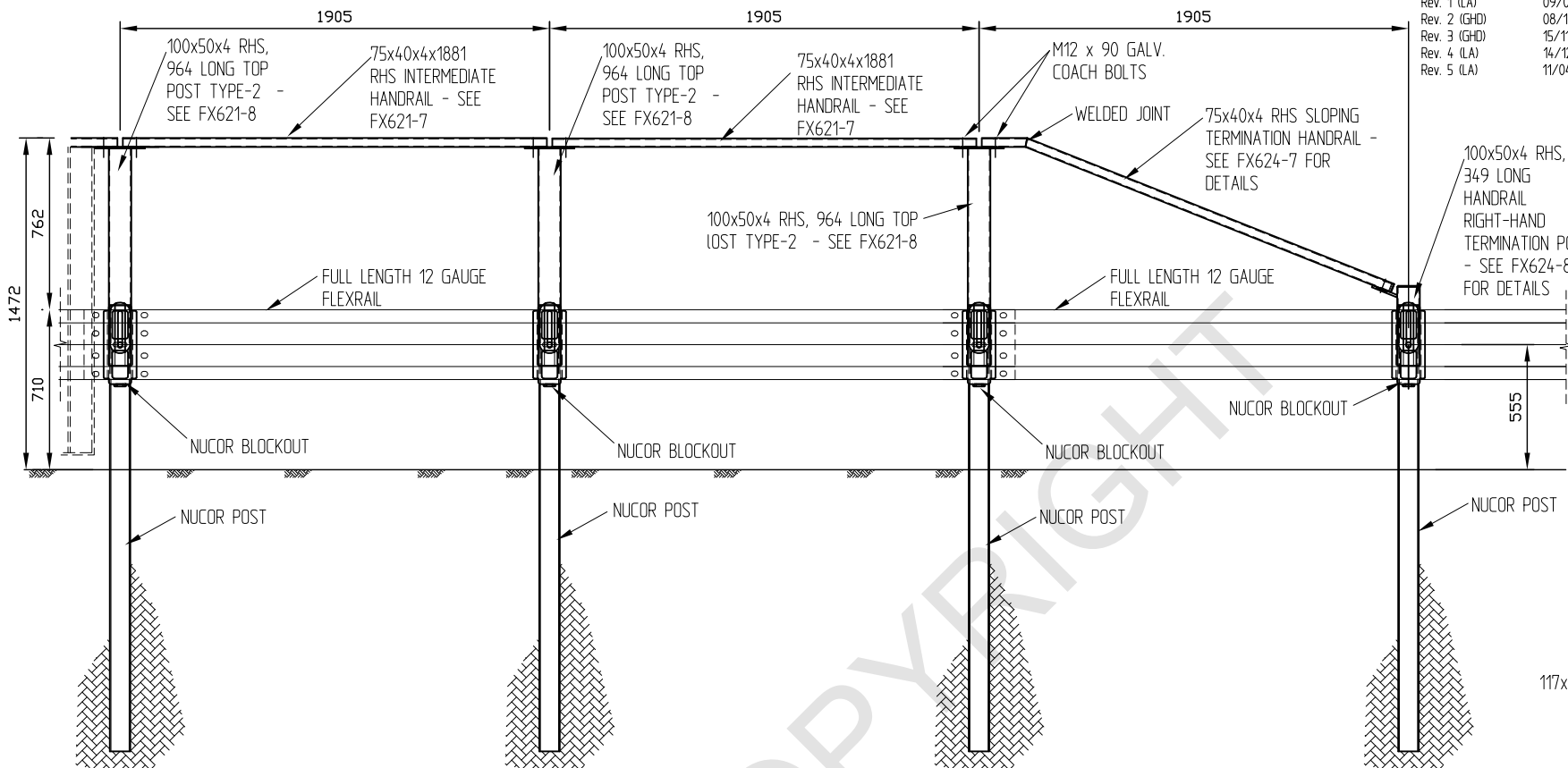
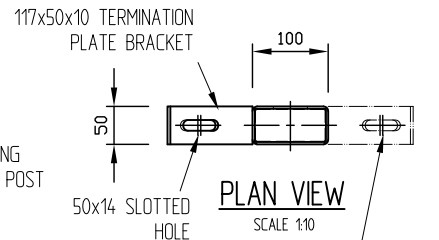


Revision	Rev. Date	Changes Made
Rev. 1 (LA)	09/08/12	Updated drawing.
Rev. 2 (GHD)	08/11/12	Updated drawings (DRAFT).
Rev. 3 (GHD)	15/11/12	Updated drawings.
Rev. 4 (LA)	14/12/12	Updated drawing & changed drawing no.
Rev. 5 (LA)	11/04/13	Updated dimensions & drawing.



**DETAIL OF RIGHT-HAND TERMINATION POST**  
SCALE 1:10

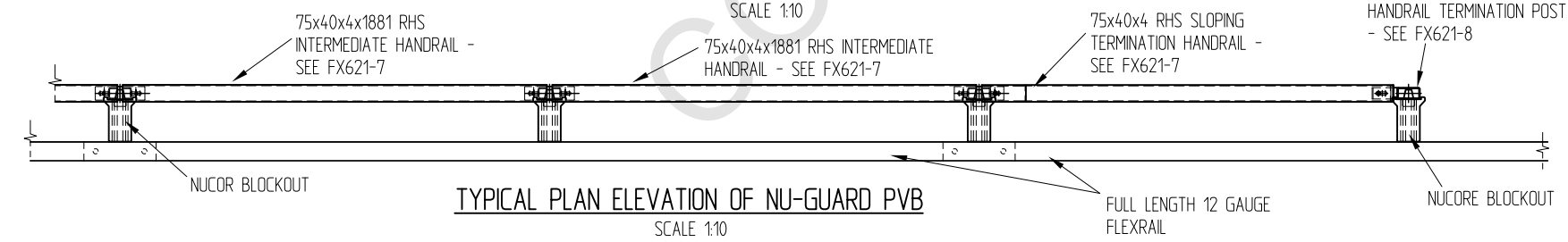


FOR LEFT-HAND TERMINATION POST WELD TERMINATION PLATE BRACKET ON OPPOSITE SIDE

- NOTES:**
1. ALL MATERIAL GRADE 250 MINIMUM.
  2. HOT DIP GALVANIZE TO AS/NZS 4680

**TYPICAL SIDE ELEVATION OF NU-GUARD PVB**  
SCALE 1:10

**TYPICAL PLAN ELEVATION OF NU-GUARD PVB**  
SCALE 1:10



306 Neilson Street,  
Onehunga, Auckland  
PO Box 12 949, Penrose  
Auckland, New Zealand  
Telephone 09-634 1239  
Facsimile 09-634 4525  
www.cspacific.co.nz

**CSP PACIFIC**

Copyright: This design, information and drawing remain the property of CSP Pacific and may not be used or copied without approval in writing from CSP Pacific.

**NU-GUARD PVB GUARDRAIL SYSTEM  
WITHOUT FENCE PANEL**

GENERAL ASSEMBLY AND END TERMINATION DRAWING

Drawn by	LA	Date	19/06/12
Checked		Scale	A4 1:10
Reference No.			
Drawing no.	FX621-3	Rev. No.	5

ALSO SEE FX621-1, FX621-2, FX621-4, FX621-5, FX621-6, FX621-7 & FX621-8 FOR OTHER DETAILS