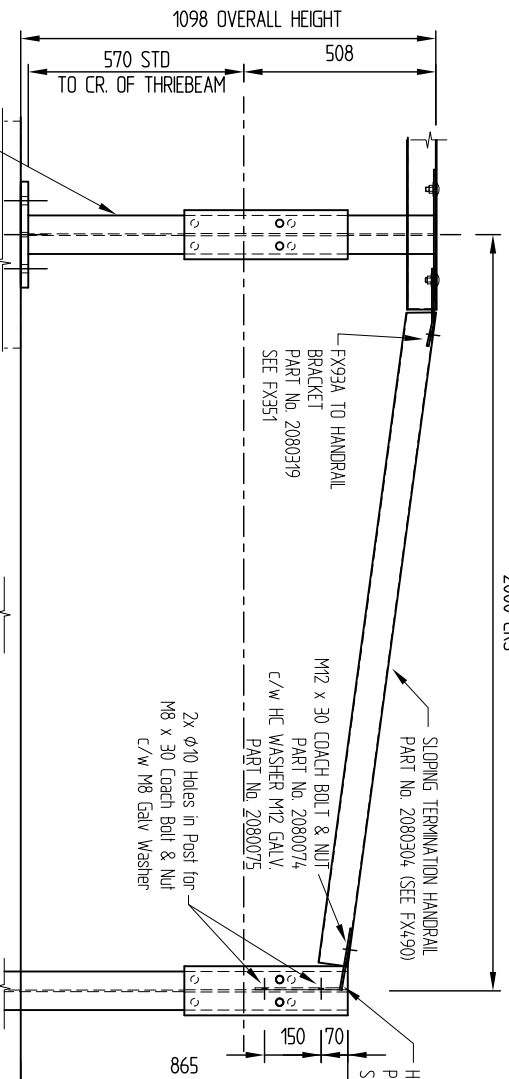


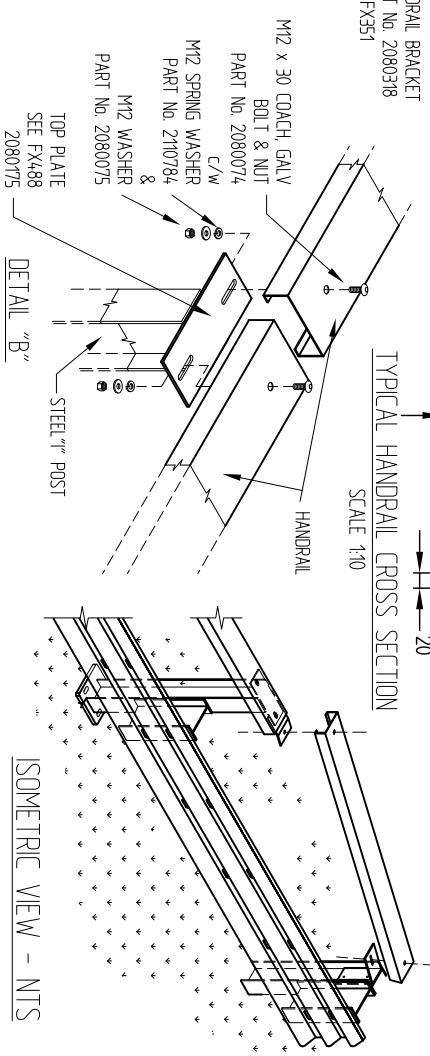
Revision	Rev. Date	Changes Made
Rev 1 (SB)	24-05-06	Part no. of M12 washer changed from 2020175 to 2080075
Rev 2 (SB)	11-07-06	Typical handrail cross section added
Rev 3 (SB)	03-10-06	Top plt. part no. modified
Rev 4 (SB)	08-10-08	Post length modified and handrail part no. changed
Rev 5 (SB)	08-10-10	Holes in Thriebeam at 10m centres added
Rev 6 (MV)	10-12-12	Sloping Termination handrail position modified
Rev 8 (MV)	23-05-18	General drawing updated

TYPICAL LAYOUT
SCALE 1:35

TYPICAL HANDRAIL CROSS SECTION
SCALE 1:10



SLOPING TERMINATION - DETAIL 'A'
SCALE 1:20



THRIEBEAM HANDRAIL
SLOPING TERMINATION TO 1/2\"/>

ISOMETRIC VIEW - NTS

ALSO SEE FX382-1, FX490, FX495-1, FX495-2



306 Nelson Street,
Onehunga, Auckland
PO Box 12 949, Penrose
Auckland, New Zealand
Telephone 09-634 1239
Facsimile 09-634 4525
www.cspacific.co.nz

Drawn by	EI	Date	17-08-05
Checked		Scale	A4
Reference No.		AS SHOWN	
Drawing no.	FX495	Rev. No.	8