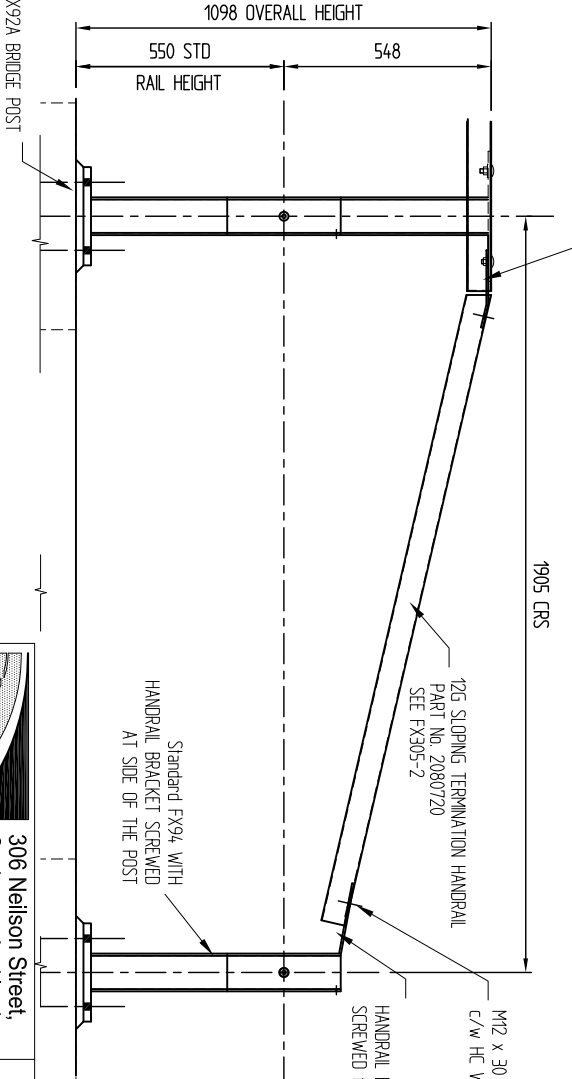
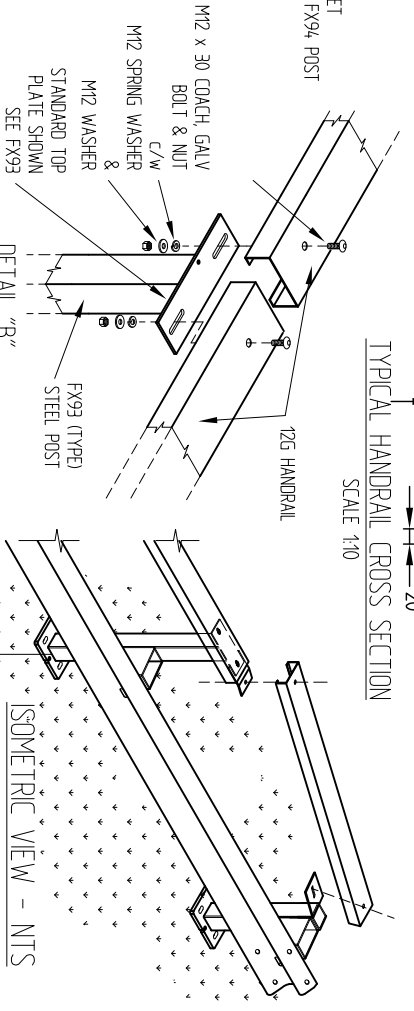


TYPICAL LAYOUT
SCALE 1/35



SLOPING TERMINATION - DETAIL 'A'
SCALE 1/20



TYPICAL HANDRAIL CROSS SECTION
SCALE 1/10

ISOMETRIC VIEW - NTS

Revision	Rev. Date	Changes Made
Rev. 1 (M/M)	28-03-18	Part number for Handrail position added
Rev. 2 (M/M)	03-04-18	Sloping handrail bracket notes updated.
Rev. 3 (M/M)	23-05-18	General updated.

ALSO SEE FX34, FX93, FX107, FX229, FX253, FX305, FX351

306 Nelson Street,
Onehunga, Auckland
PO Box 12 949, Penrose
Auckland, New Zealand
Telephone 09-634 1239
Facsimile 09-634 4525
www.cspacific.co.nz

FLEXRAIL HANDRAIL
SLOPING TERMINATION FOR 12 G FLEXRAIL

Drawn by	MY	Date	12 DEC 12
Checked		Scale	A4
Reference No.		AS SHOWN	
Drawing no.	FX350-1		Rev. No.
			3