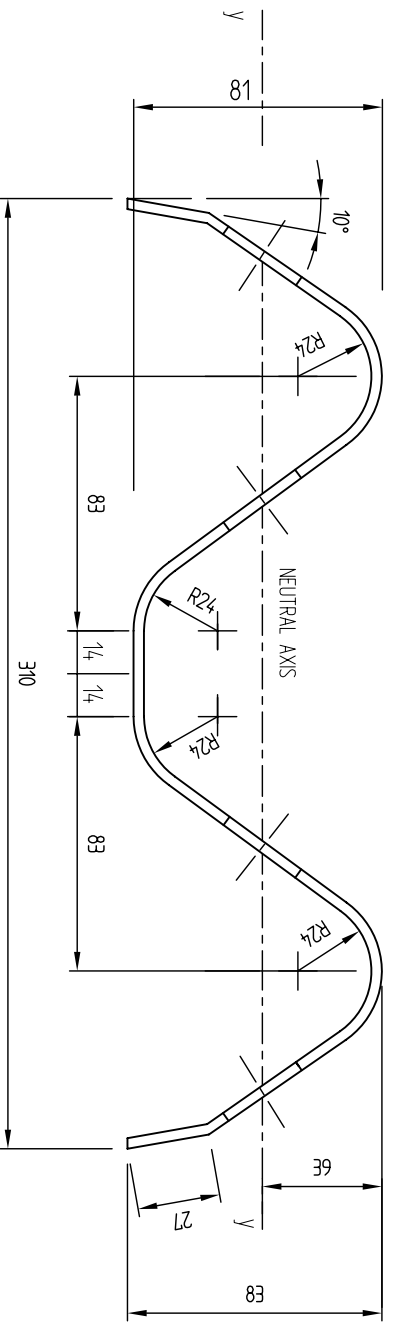
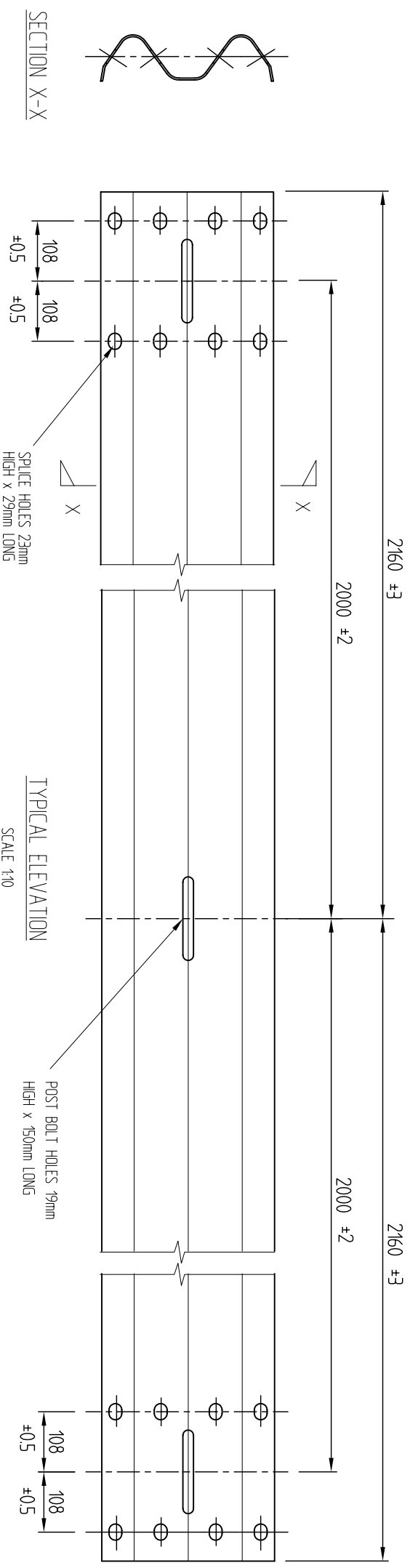


Revision	Rev. Date	Changes Made
REV. 1	9-1-96	Redrawn on CAD, section added MJH
REV. 2	14-12-98	NOTES ADDED MJH
REV. 3	17-05-00	NOTES AMENDED NM
REV. 4	18-05-04	Splice Holes modified



**NOTES:**

- HOT DIP GALVANIZE FINISH.
- GALV. WEIGHT 55.9kg
- MATERIAL SPECIFICATION AS PER NRB M/77P, Fy = 400MPa MIN

ALSO SEE FX360, FX390, FX393

**OSP PACIFIC**  
www.cspacific.co.nz

306 Neilson Street,  
Onehunga, Auckland  
PO Box 12 949, Penrose  
Auckland, New Zealand  
Telephone 09-634 1239  
Facsimile 09-634 4525

BRIDGE FLEXRAIL  
STANDARD 10 GAUGE (3.4mm)

PART NO. 2080007

Drawn by	MJH	Date	14-12-98
Checked		Scale A4	AS SHOWN
Reference No.			
Drawing no.	FX34	Rev. No.	4