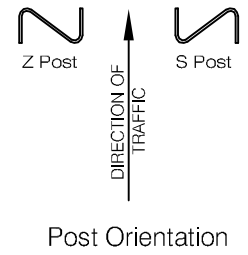
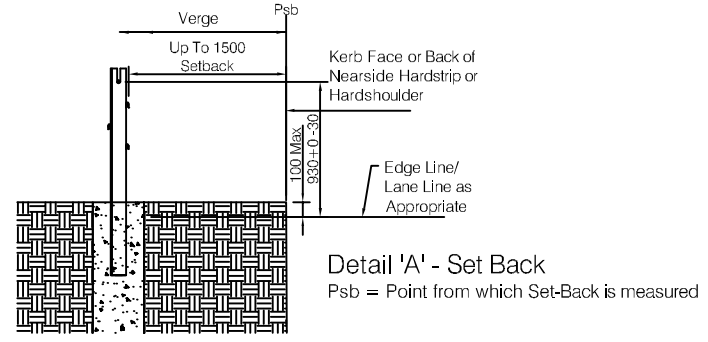
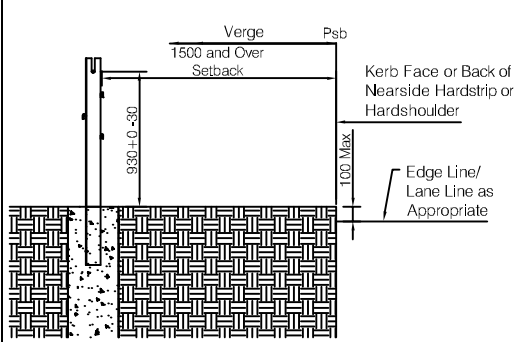
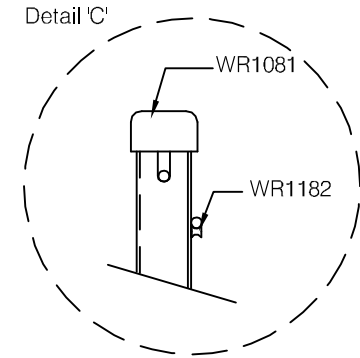
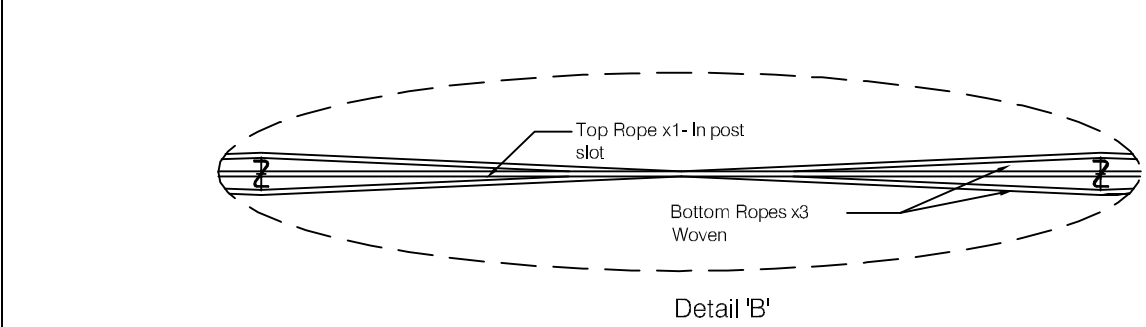
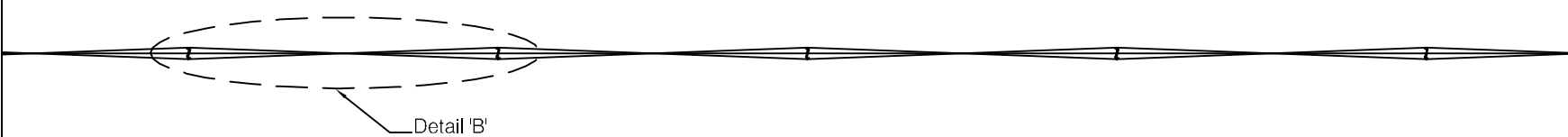
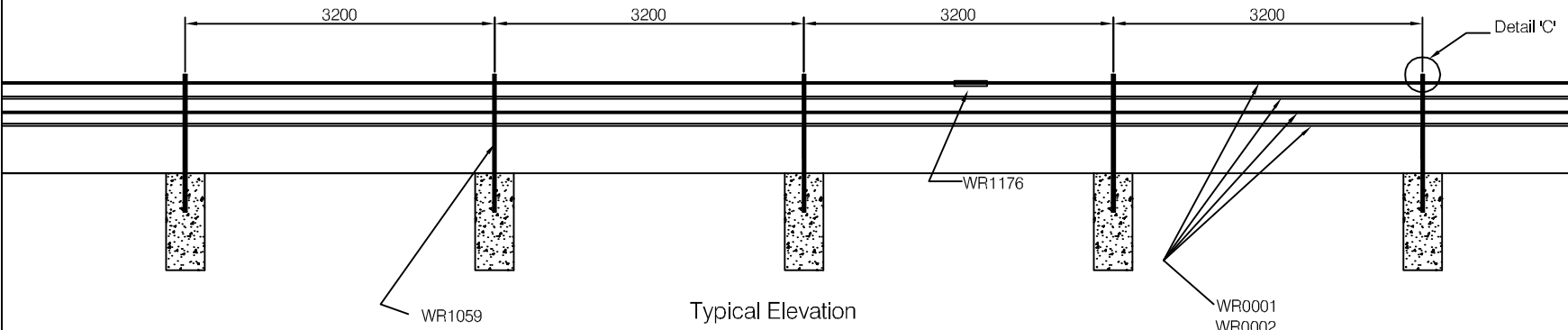


© Copyright.  
This drawing has copyright & may not be copied in whole or in part or used for any other purpose other than that for which it is supplied without express written consent from the company.

- Notes**
- Was Drg WR1577**
- a) Dimensions in mm
  - b) Line posts can be driven in or mounted in concrete foundations with or without sockets see dwg WR3021 for foundation details
  - c) Posts and foundations must withstand an overturning moment of 6kNm
  - d) The ropes must be placed at design height above ground line. - Tolerance is ± 30mm.
  - e) Brifen may be installed on either side of the roadway. The radius edge of posts shall be on the approach side of traffic.
  - f) The approach or depart of TL4 System must be connected to Brifen TL3 terminal Via TL3 to TL4 transition WR3030 or to a continuing length of TL3 fence again using TL3 to TL4 transition.
  - g) WRGT-RD Terminal may be used on the depart where head on impacts are unlikely.
  - h) Minimum length of TL4 fence is 60 metres.
  - i) Please refer to Installation Manual BIM01 for assembly & maintenance details
  - j) Drawing References
    - WR3000 Details of Ropes
    - WR3022 Detail of Rope Heights
    - WR3026 Details of Components for this layout



Rev	Remarks	ECR	Date	Check
A	Drg No change was Drg WR1577	75	29/10/08	MT
Drawn By <i>M.M.Peach</i>		Date Oct 2008	Material	
Scale N T S		Finish	Weight	

Description  
**BRIFEN**  
NCHRP 350 - TL4 Length of  
Need General Layout - 4 Rope -  
3.2m Post Spacing

**UNCONTROLLED WHEN PRINTED**

Springvale Business & Industrial Park,  
Bilston, Wolverhampton, WV14 0QL.  
Tel: (01902) 499400  
Fax: (01902) 499419  
**brifen**  
www.hill-smith.co.uk www.brifen.co.uk