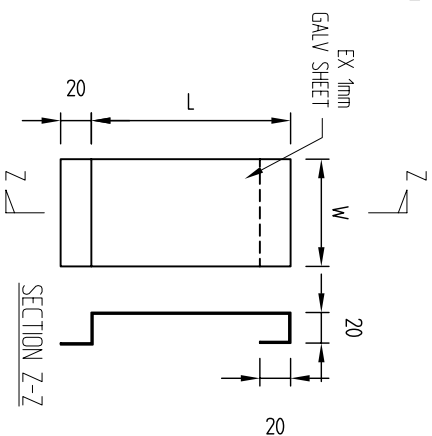
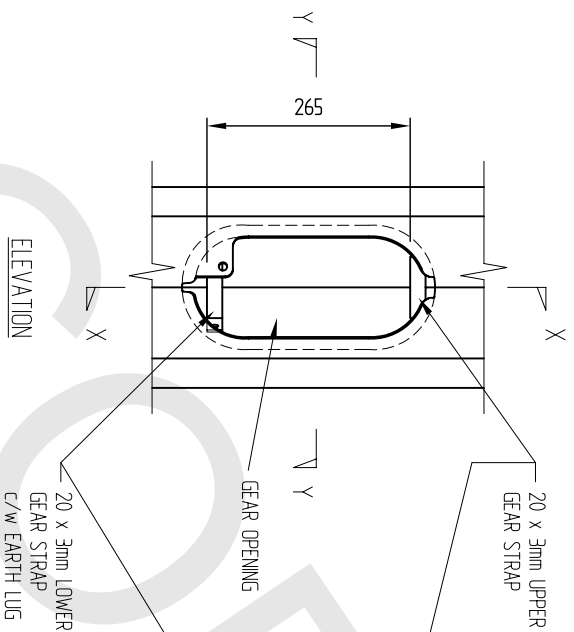


SECTION Y-Y

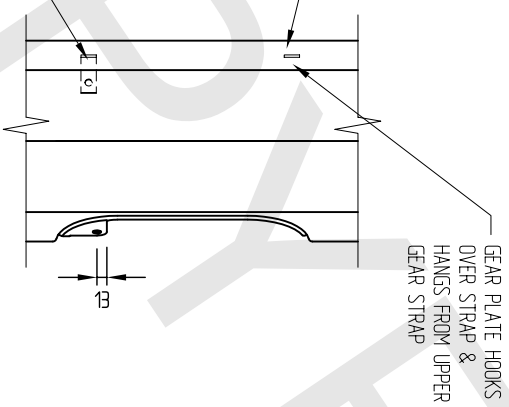


TYPICAL GEAR TRAY DETAIL



ELEVATION

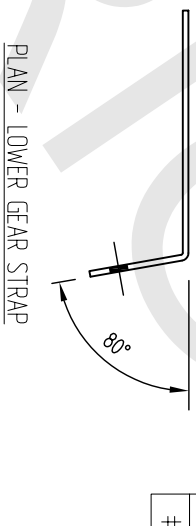
SECTION X-X



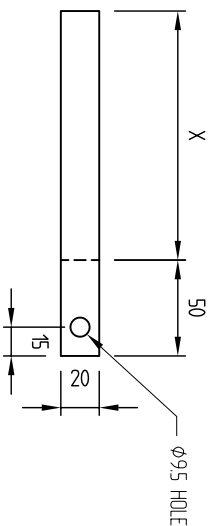
SECTION X-X

| GEAR TRAY | PART NUMBER | L' (mm) | W' (mm) |
|-----------|-------------|---------|---------|
| 3 | 2110236 | 260 | 120 |
| 4 | 2110237 | 260 | 150 |
| 5 | 2110238 | 260 | 180 |
| 6 | 2110239 | 260 | 190 |
| 7 | 2110240 | 260 | 210 |

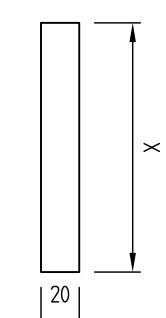
| GEAR STRAP | PART NUMBER | X' (mm) |
|------------|-------------|---------|
| #3 LOWER | 2111128 | 130 |
| #3 UPPER | 2111129 | 130 |
| #4 LOWER | 2111130 | 160 |
| #4 UPPER | 2111131 | 160 |
| #5 LOWER | 2111132 | 190 |
| #5 UPPER | 2111133 | 190 |
| #6 LOWER | 2111134 | 200 |
| #6 UPPER | 2111135 | 200 |
| #7 LOWER | 2111136 | 220 |
| #7 UPPER | 2111137 | 220 |



PLAN - LOWER GEAR STRAP



ELEVATION - LOWER GEAR STRAP



ELEVATION - UPPER GEAR STRAP

NOTES:

SEE ALSO P121, P852

STANDARD PUNCHED & FORMED GEAR OPENING,
GEAR STRAP WITH EARTH LUG
AND GEAR TRAY DETAILS
FOR 2mm POLE SECTIONS #3 AND HIGHER

306 Neilson Street,
Onehunga, Auckland
PO Box 12 949, Penrose
Auckland, New Zealand
Telephone 09-634 1239
Facsimile 09-634 4525
www.cspacific.co.nz

CSP
PACIFIC

Copyright. This design, information and drawing remain the property of CSP Pacific and may not be used or copied without approval in writing from CSP Pacific.

Revision Rev. Date Changes Made

Rev.1 NM 05/03/01 Gear Strap Table of Part No's & Dim's Added
Rev.2 SB 04/06/04 Gear Strap Table modified, Gear Strap position corrected

Drawn by NIMARKHAM Date 04/05/00
Checked Scale A4 NTS
Reference No.

Drawing no. P1621 Rev. No. 2