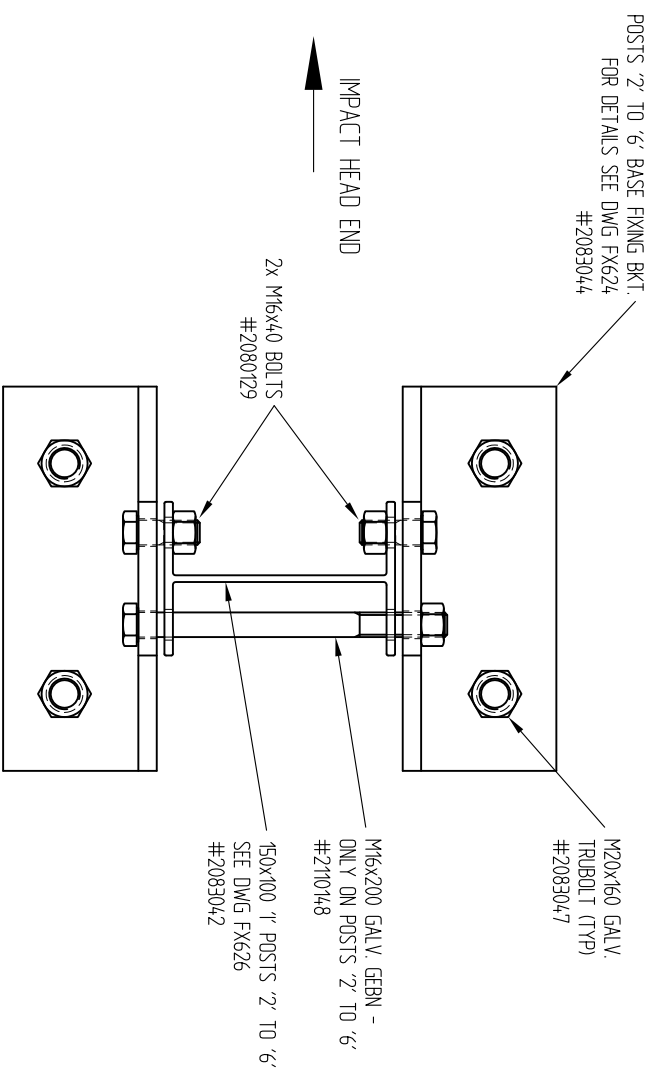


PLAN AT POST '1' BASE FIXINGS



PLAN AT POSTS '2' TO '6' BASE FIXINGS

NOTES:
1. ALSO SEE DWGS FX622, FX623, FX624, FX625, FX626



306 Neilson Street,
Onehunga, Auckland
PO Box 12 949, Penrose
Auckland, New Zealand
Telephone 09-634 1239
Facsimile 09-634 4525
www.cspacific.co.nz

Copyright. This design information and drawing remain the property of CSP Pacific and may not be used or copied without approval in writing from CSP Pacific.

BOLT DOWN SKT 350

BASE FIXING ATTACHMENT METHODS

FOR POSTS 1 TO 6

Drawn by	SB	Date	05/03/12
Checked		Scale	A4
Reference No.			1 : 5
Drawing no.	FX628		Rev. No.
			0