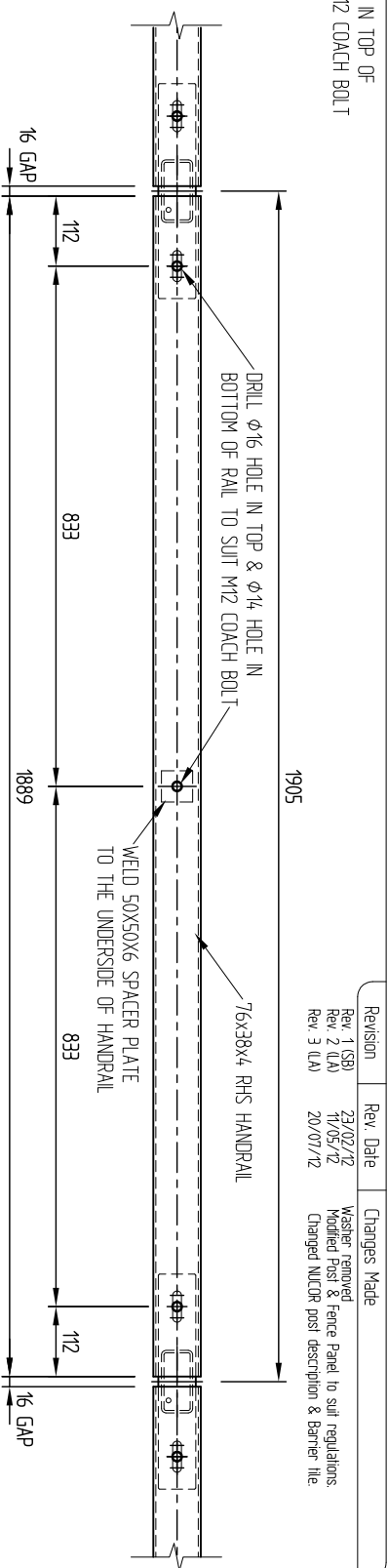
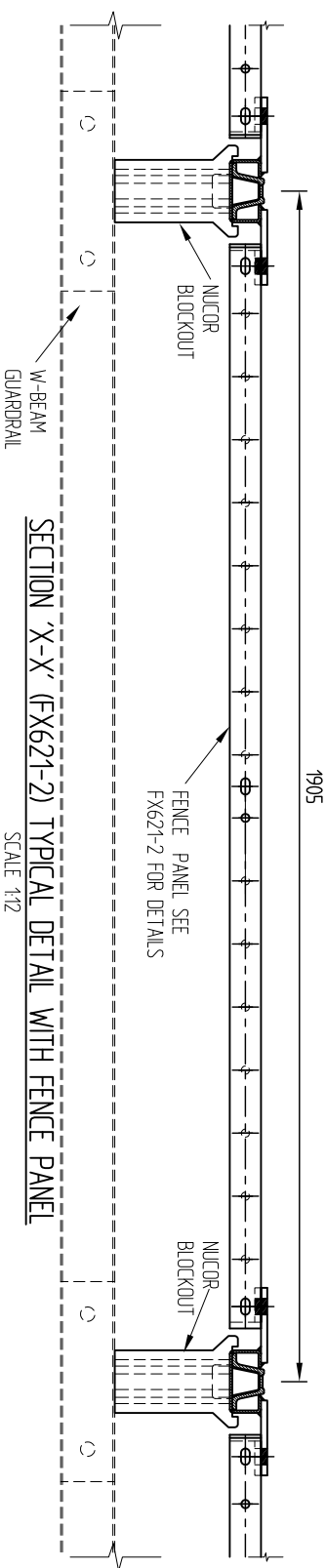


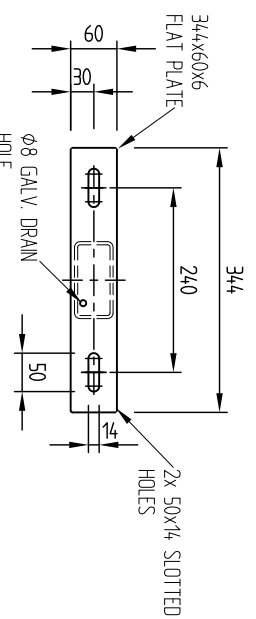
POST ELEVATION
SCALE 1:10



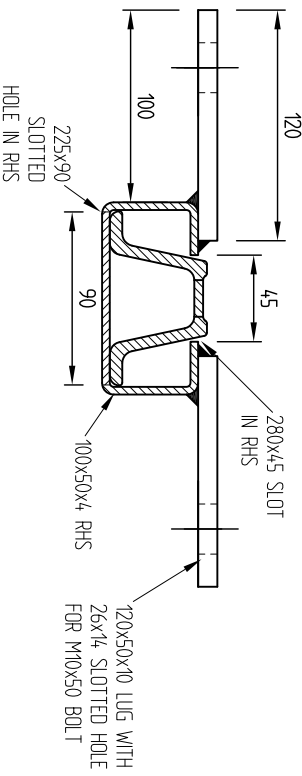
SECTION 'W-W' (FX621-2) TYPICAL PLAN VIEW OF HANDRAIL ONLY
SCALE 1:12



SECTION 'X-X' (FX621-2) TYPICAL DETAIL WITH FENCE PANEL
SCALE 1:12



TOP PLATE DETAILS - TYPICAL PLAN
SCALE 1:10



SECTION 'A-A' - TYPICAL
SCALE 1:4

ALSO SEE FX621-1, FX621-2, FX621-3, FX621-5 & FX621-6 FOR OTHER DETAILS

NU-GUARD PVB GUARDRAIL SYSTEM

POST & SECTIONAL DETAILS



306 Neilson Street,
Onehunga, Auckland
PO Box 12 949, Pentose
Auckland, New Zealand
Telephone 09-634 1239
Facsimile 09-634 4525
www.cspacific.co.nz

Copyright. This design information and drawing remain the property of CSP Pacific and may not be used or copied without approval in writing from CSP Pacific.

Revision	Rev. Date	Changes Made
Rev. 1 (CS)	23/02/12	Washer removed
Rev. 2 (LA)	17/05/12	Modified Post & Fence Panel to suit regulations
Rev. 3 (LA)	20/07/12	Changed NUCOR post description & Barrier file

NOTES:

- 1. ALL MATERIAL GRADE 250 MINIMUM.
- 2. HOT DIP GALVANIZE TO AS/NZS 4680

Drawn by	SB	Date	16/02/12
Checked		Scale	A4
Reference No.			AS NOTED
Drawing no.	FX621-4		Rev No
			3