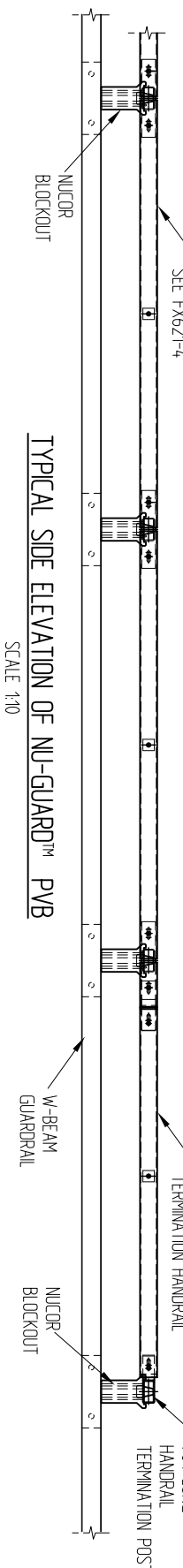
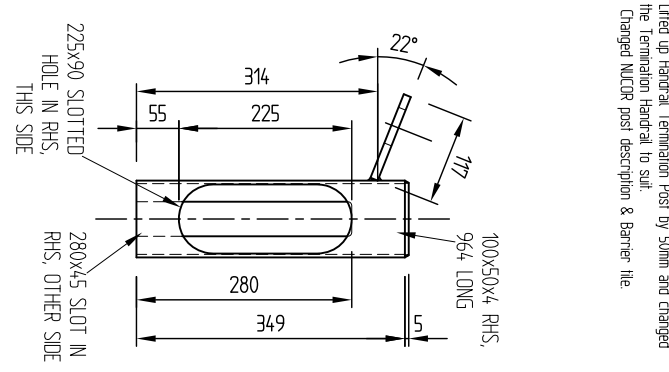


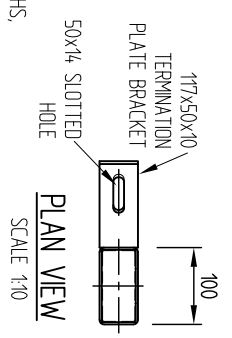
TYPICAL SIDE ELEVATION OF NU-CORE PVB
SCALE 1:10



TYPICAL SIDE ELEVATION OF NU-GUARD™ PVB
SCALE 1:10



DETAIL OF TERMINATION POST
SCALE 1:10



PLAN VIEW
SCALE 1:10

- NOTES:
1. HOT DIP GALVANIZE TO AS/NZS 4680
 2. TOTAL GALV. WT. APPROX XXX Kgs

Revision	Rev. Date	Changes Made
Rev. 1 (LA)	11/05/12	Lifted up Handrail Termination Post by 50mm and changed the Termination Handrail to suit.
Rev. 2 (LA)	20/07/12	Changed NUCOR post description & Barrier file.

NU-GUARD PVB GUARDRAIL SYSTEM
WITH FENCE PANEL

GENERAL ASSEMBLY AND END TERMINATION DRAWING

Drawn by	LA	Date	11/05/12
Checked		Scale A4	1:10
Reference No.			

Drawing no.	FX621-1	Rev No.	2
-------------	---------	---------	---

ALSO SEE FX621-2, FX621-3, FX621-4, FX621-5 & FX621-6 FOR OTHER DETAILS



306 Neilson Street,
Onehunga, Auckland
PO Box 12 949, Pentose
Auckland, New Zealand
Telephone 09-634 1239
Facsimile 09-634 4525
www.cspacific.co.nz

Copyright. This design information and drawing remain the property of CSP Pacific and may not be used or copied without approval in writing from CSP Pacific.