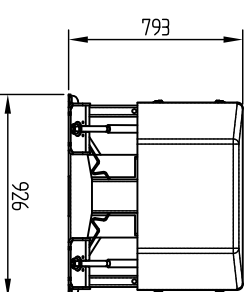
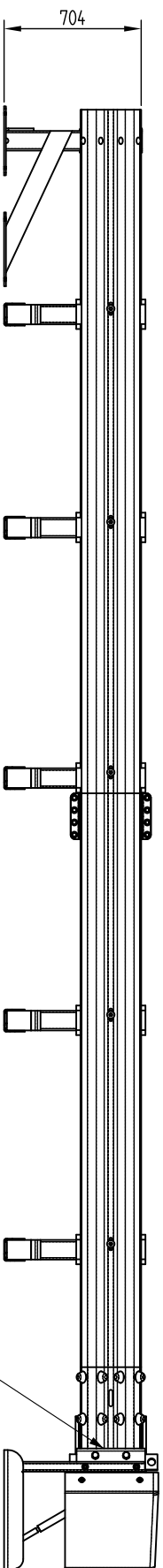
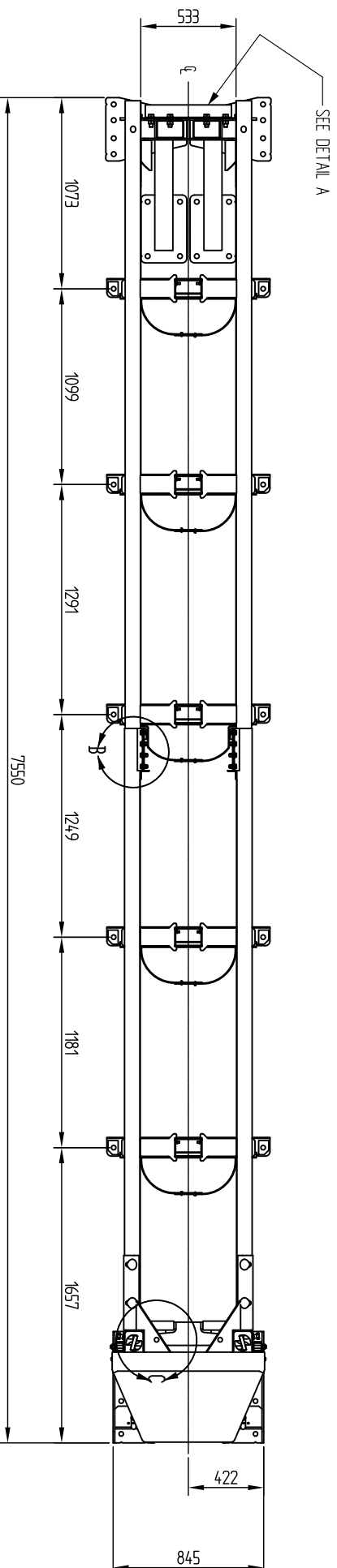


NOTES UNLESS OTHERWISE SPECIFIED:

1. FOR DETAILS, SEE FX584-3

Revision	Rev. Date	Changes Made
Rev. 1 (SB)	03/11/11	Dimensions reference now only to metric




306 Neilson Street,
 Onehunga, Auckland
 PO Box 12 949, Pentrose
 Auckland, New Zealand
 Telephone 09-634 1239
 Facsimile 09-634 4525
 www.cspacific.co.nz

Copyright. This design, information and drawing remain the property of CSP Pacific and may not be used or copied without approval in writing from CSP Pacific.

X-TENUATOR
 100kph NARROW

AF/BSI Reference Dwg No. XTEN100N
 SHEET 2 OF 4

Drawn by	SB	Date	19/05/11
Checked	--	Scale	A4
Reference No.	NTS		
Drawing no.	FX584-2		
Rev. No.	1		