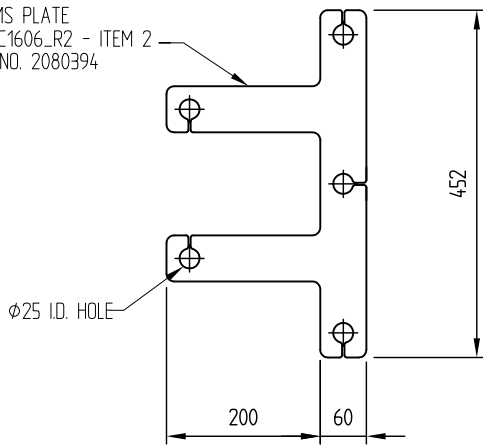
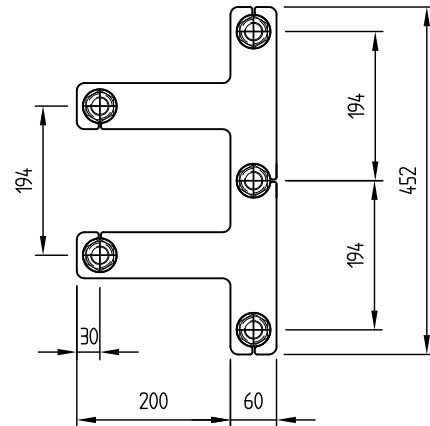


Revision	Rev. Date	Changes Made
1	SB 10-09-04	CHANGED THE PC REVISION No.
2	SB 09-11-05	Drawing Updated
3	SB 04-12-07	Part no. of M24 nut modified
4	SB 03-05-10	Bolt distance changed to 194mm as per AASHTO dwg

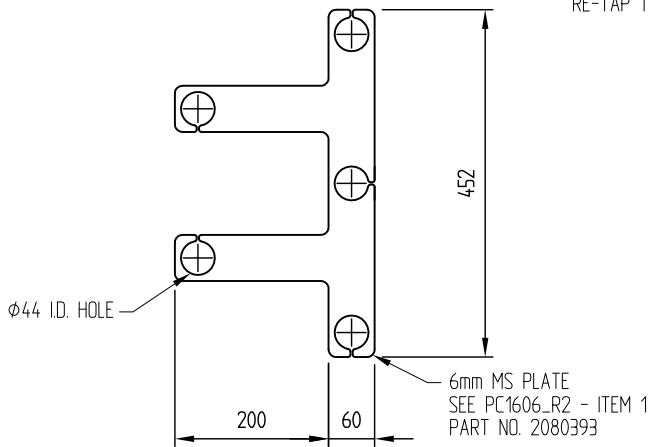
3mm MS PLATE
SEE PC1606_R2 - ITEM 2
PART NO. 2080394



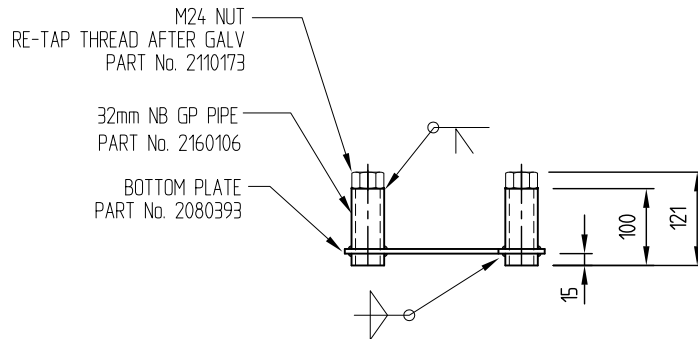
PLAN - 3mm TEMPLATE
(SCALE 1:10)



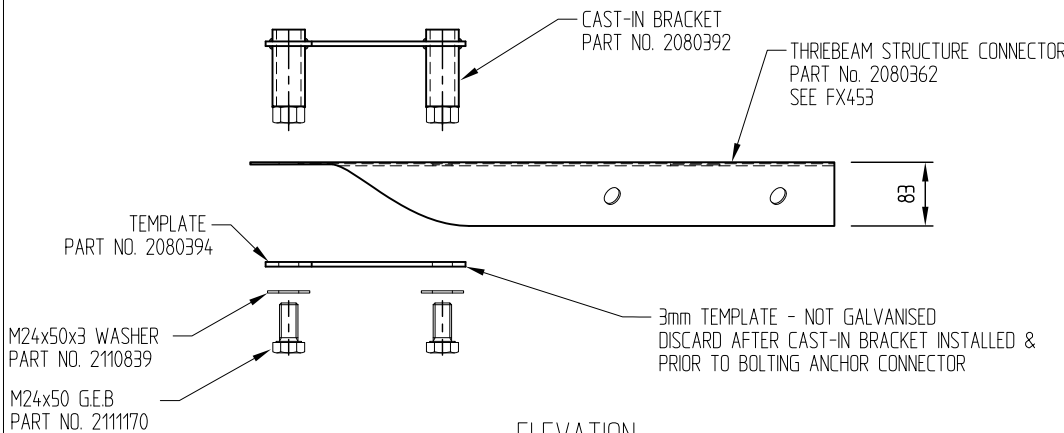
PLAN
CAST IN BRACKET PART NO. 2080392
(SCALE 1:10)



PLAN - 6mm BOTTOM PLATE
(SCALE 1:10)



ELEVATION
CAST IN BRACKET PART NO. 2080392
(SCALE 1:10)



ELEVATION
(SCALE 1:10)
ASSEMBLY PART NO. 2080391

**THRIEBEAM CAST-IN BRACKET ASSEMBLY
PART NO. 2080395 CONSISTS OF:**

- 1x 2080392 THRIEBEAM CAST-IN BRACKET
- 1x 2080394 THRIEBEAM CAST-IN BRACKET TEMPLATE
- 5x 2110839 PS WASHER M24x50x3 GALV
- 5x 2111170 PS ENGG BOLT+NUT M24x50 GALV

NOTES:

1. GALVANIZED WEIGHT = 13.1Kg
2. DO NOT GALVANIZE TEMPLATE
3. SEE FX453 FOR STRUCTURE CONNECTOR



306 Neilson Street,
Onehunga, Auckland
PO Box 12 949, Penrose
Auckland, New Zealand
Telephone 09-634 1239
Facsimile 09-634 4525
www.csppacific.co.nz

Copyright: This design, information and drawing remain the property of CSP Pacific and may not be used or copied without approval in writing from CSP Pacific.

**THRIEBEAM STRUCTURE CONNECTOR ASSEMBLY
PART No. 2080391**

STANDARD STRUCTURE CONNECTOR
PART No. 2080362
THRIEBEAM CAST-IN BRACKET ASSEMBLY
PART No. 2080395

Drawn by	ELI	Date	30/08/02
Checked		Scale	A4 1 : 10
Reference No.			
Drawing no.	FX461	Rev. No.	4