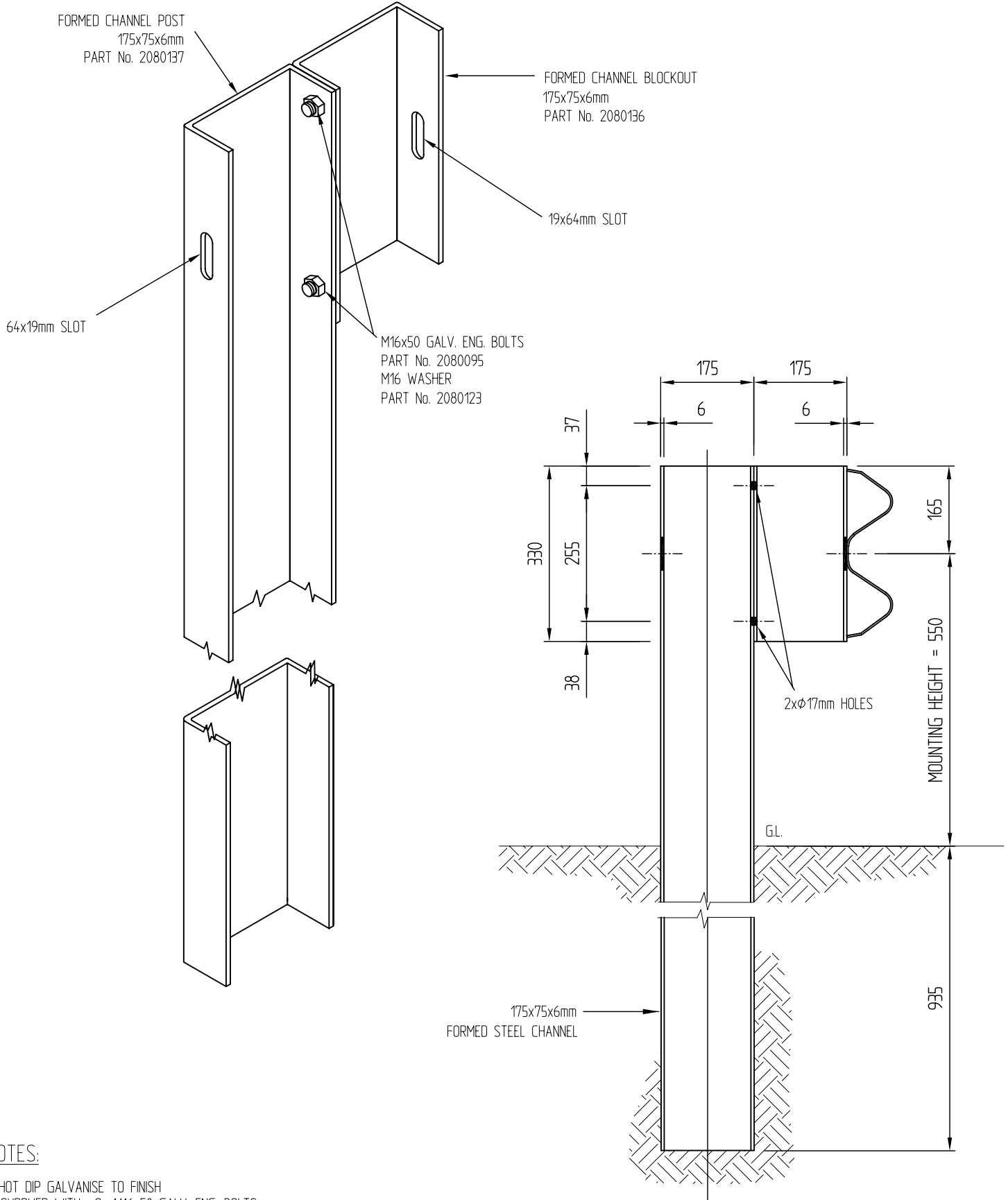


| Revision | Rev. Date | Changes Made |
|----------|-----------|--|
| REV. - 1 | 7-8-98 | ADDED PART NUMBERS & CHANGED TITLE BLOCK |
| REV. - 2 | 16-6-99 | ADD PART No. |



NOTES:

1. HOT DIP GALVANISE TO FINISH
2. SUPPLIED WITH : 2x M16x50 GALV. ENG. BOLTS
3. FOR FABRICATION DETAILS REFER TO DRAWING FX13
4. GALV. WEIGHT 30.1kg

THIS DWG IS TO BE USED ONLY FOR EXPORT



306 Neilson Street,
 Onehunga, Auckland
 PO Box 12 949, Penrose
 Auckland, New Zealand
 Telephone 09-634 1239
 Facsimile 09-634 4525
 www.csppacific.co.nz

Copyright: This design, information and drawing remain the property of CSP Pacific and may not be used or copied without approval in writing from CSP Pacific.

FX11 STEEL FLEXRAIL POST
 GROUND PLANTED
 ASSEMBLY PART No. 2080160

| | |
|---------------------|----------------------|
| Drawn by NGB | Date 29-7-92 |
| Checked | Scale A4 AS SHOWN |
| Reference No. | |
| Drawing no. FX11 | Rev. No. 2 |