



Armorwire Terminal End - Universal

Armorwire Terminal End (A.T.E) - Universal

Y/N

Y/N

General

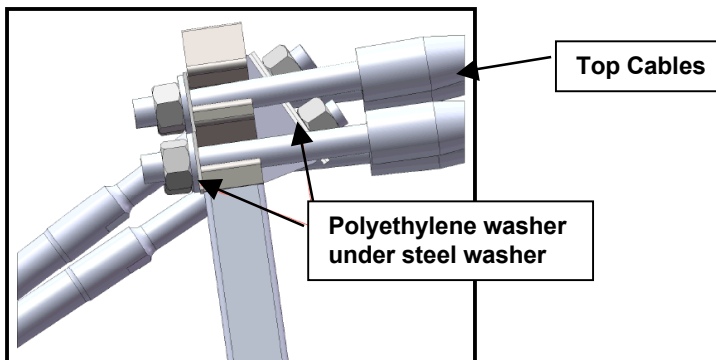
Ground is level for a 1500mm cord around ground strut.
 The M24 nuts holding the ground strut to the foundation are spanner tight.
 At least 1 thread is showing above the nuts holding the trigger post to the ground strut and rebar cage.
 The 10mm (thick) steel washer has been used to fix the anchor cables to the upstream end of the ground strut.
 The 3mm (thick) polyethylene washer and 6mm (thick) steel washer have been used to fix the anchor cables to the trigger post (see diagram below for orientation).
 The anchor cables are firmly held in the body of the triangular wedges on the trigger post and the M24 nuts at the upstream end of the ground strut are spanner tight.

Connected to a 3 Cable Barrier

The top cable of the cable barrier is positioned in the top slot on the trigger post.
 The two bottom cables are positioned on either side of the trigger post in the bottom slots.
 The 3mm (thick) square polyethylene washer is between the 6mm round steel washers and the trigger post for all three cables. (See diagram.)

Connected to a 4 Cable Barrier

The two top cables of the cable barrier are positioned on either side of the trigger post in the top slots.
 The two bottom cables are positioned on either side of the trigger post in the bottom slots.
 The 3mm (thick) square polyethylene washer is between the 6mm round steel washer and the trigger post for all four cables. (See diagram.)



Location:			
Installed by:		Date:	
Inspected by:		Date:	

For more information contact CSP Pacific on
Ph 0800 655 200 or visit **www.csppacific.co.nz**