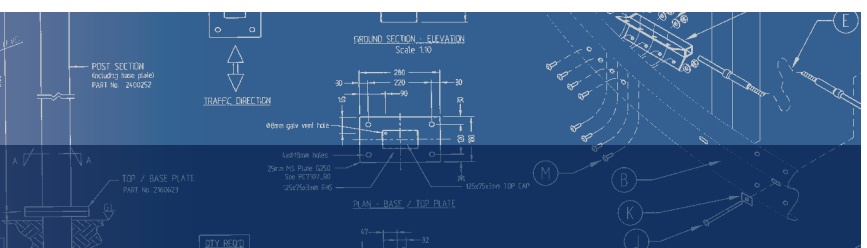
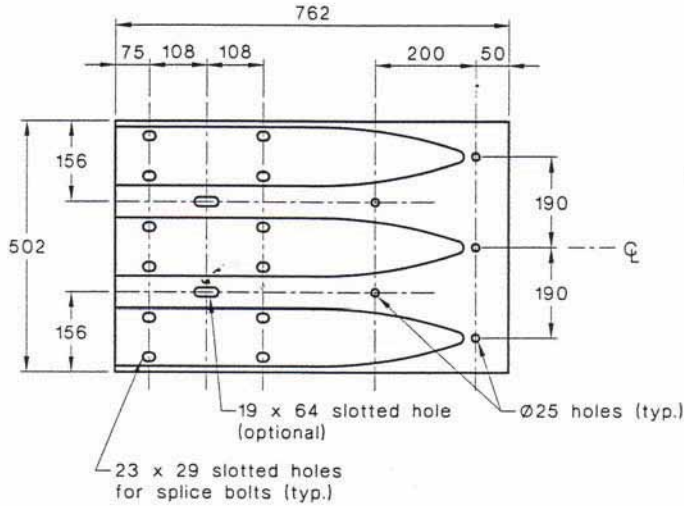




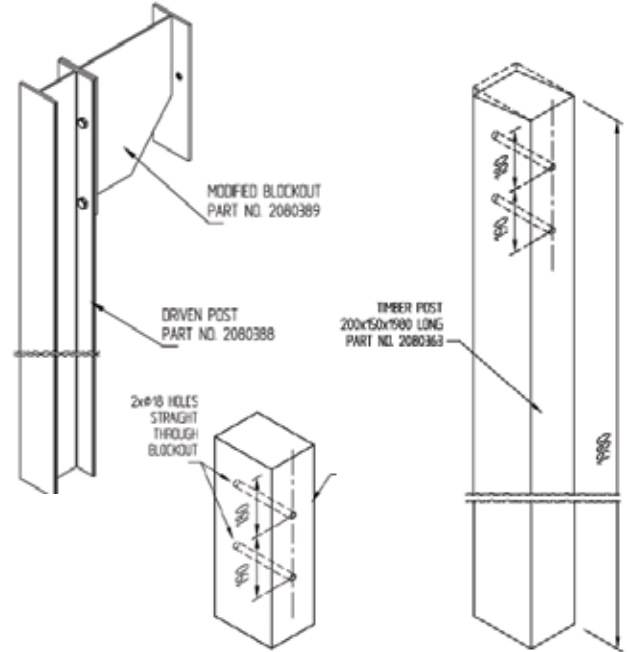
Thriebeam™



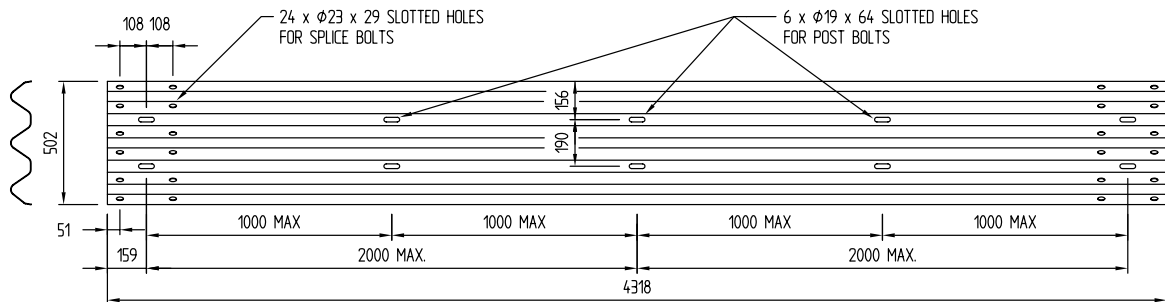
Structure connector



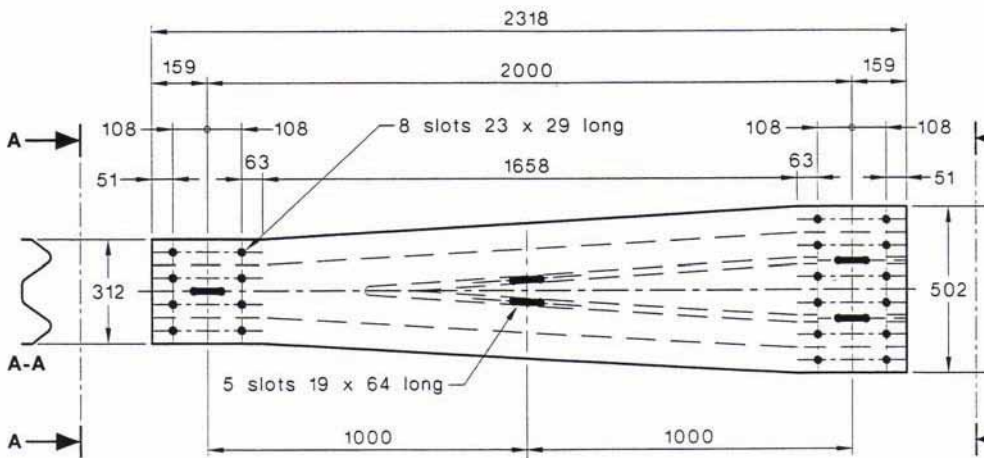
Post options and detail



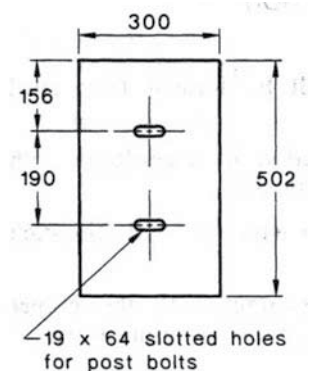
Thriebeam™ rail elevation



Transition section



Backing plate



More information on **Thriebeam™** can be found at www.csppacific.co.nz or call **0800 655 200**

Leading road side and barrier systems supplier

CSP PACIFIC

306 Neilson St, Onehunga,
PO Box 12 949, Penrose,
Auckland 1642, New Zealand
www.csppacific.co.nz



Columns



Multiplate



Retaining



Hire



Barriers



Traffic Control