

CSP Pacific's focus is on the supply of safety products and solutions for the roading industry. Our products include crash barriers and terminals, traffic control message boards and RRPMS, street lighting, flood lighting and communication poles and large engineered drainage and road separation structures.



SHORTRACC™ TL-2 Attenuating Crash Cushion



The SHORTRACC™ offers specifiers, traffic safety designers and users these distinct advantages:

- Easy to install and inspect
- Compact size; 4.3m length x 0.8m width
- Unit ships complete; no field assembly
- Installs on new or existing concrete or asphalt pad
- Easily moveable for work zone use
- Open design; familiar galvanised steel components
- Only visual annual maintenance required
- Easily repaired in the field or at the yard
- Complies to NCHRP Report 350, Test Level 2
- Training available for installers or user groups

Product info

Mar 06

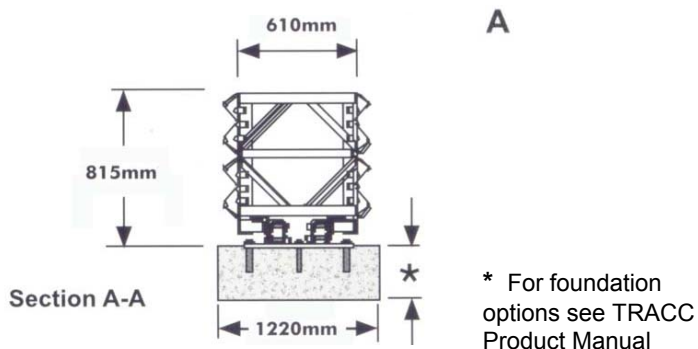
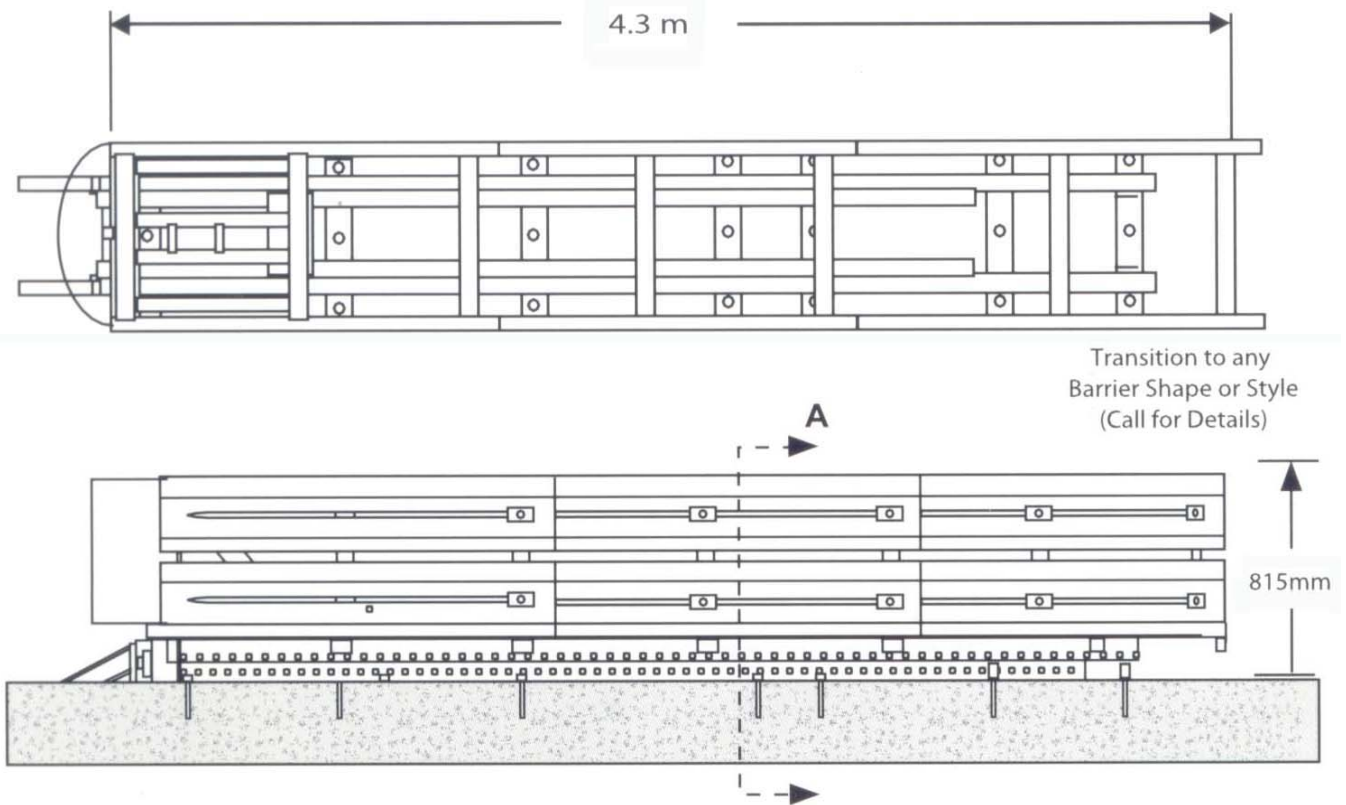
For more information contact CSP Pacific on
Ph 0800 655 200 or visit www.csppacific.co.nz



SHORTTRACC™ TL-2 Attenuating Crash Cushion

The SHORTTRACC™ Attenuating Crash Cushion : Details

- Length : 4.3m
- Width (effective) : 610mm
- Width (out-to-out) : 785mm
- Weight : 770kg
- TRACC™ meets NCHRP Report 350, Test Level 2 (70 km/hr) standards



For more information contact CSP Pacific on
Ph 0800 655 200 or visit **www.csppacific.co.nz**