



Nu-Guard 31™ Steel Guardrail System

A smaller footprint, lighter weight and no requirement for a blockout means the Nu-Guard 31™ steel post guardrail system is comparable in cost to wooden post systems and is simpler and quicker to install.

Features

- » System has a smaller footprint and no blockout
- » NUCOR™ steel posts, with no blockout, enables faster installation
- » NUCOR™ steel posts are one third the weight and 16 times smaller in area than timber posts
- » High tensile galvanised NUCOR™ steel post is designed for easy after-impact repair of system
- » Environmentally friendly - manufactured using recycled steel
- » Uses standard highway rail and fixings
- » A median or roadside barrier
- » NUCOR™ steel posts will split on impact to avoid guardrail tearing, reducing the incidence of wheel snagging
- » It is possible for one post to be installed per minute using a post rammer

Specifications

- » Tested and approved to NCHRP 350 TL-3 and TL-4
- » Post weight: 14.78 kg
- » Post length: 1980mm
- » Height to centre of rail: 635mm
- » Post footprint: 0.0375m²
- » System deflection is a maximum of 1200mm for median and roadside applications
- » No blockouts required
- » Standard highway rail and fixings
- » All components hot dip galvanised
- » Post - High tensile steel



More information on Nu-Guard 31™ can be found at www.csppacific.co.nz or call 0800 655 200

Leading road side and barrier systems supplier

CSP PACIFIC

306 Neilson St, Onehunga,
PO Box 12 949, Penrose,
Auckland 1642, New Zealand
www.csppacific.co.nz



Columns



Multiplate



Retaining



Hire



Barriers

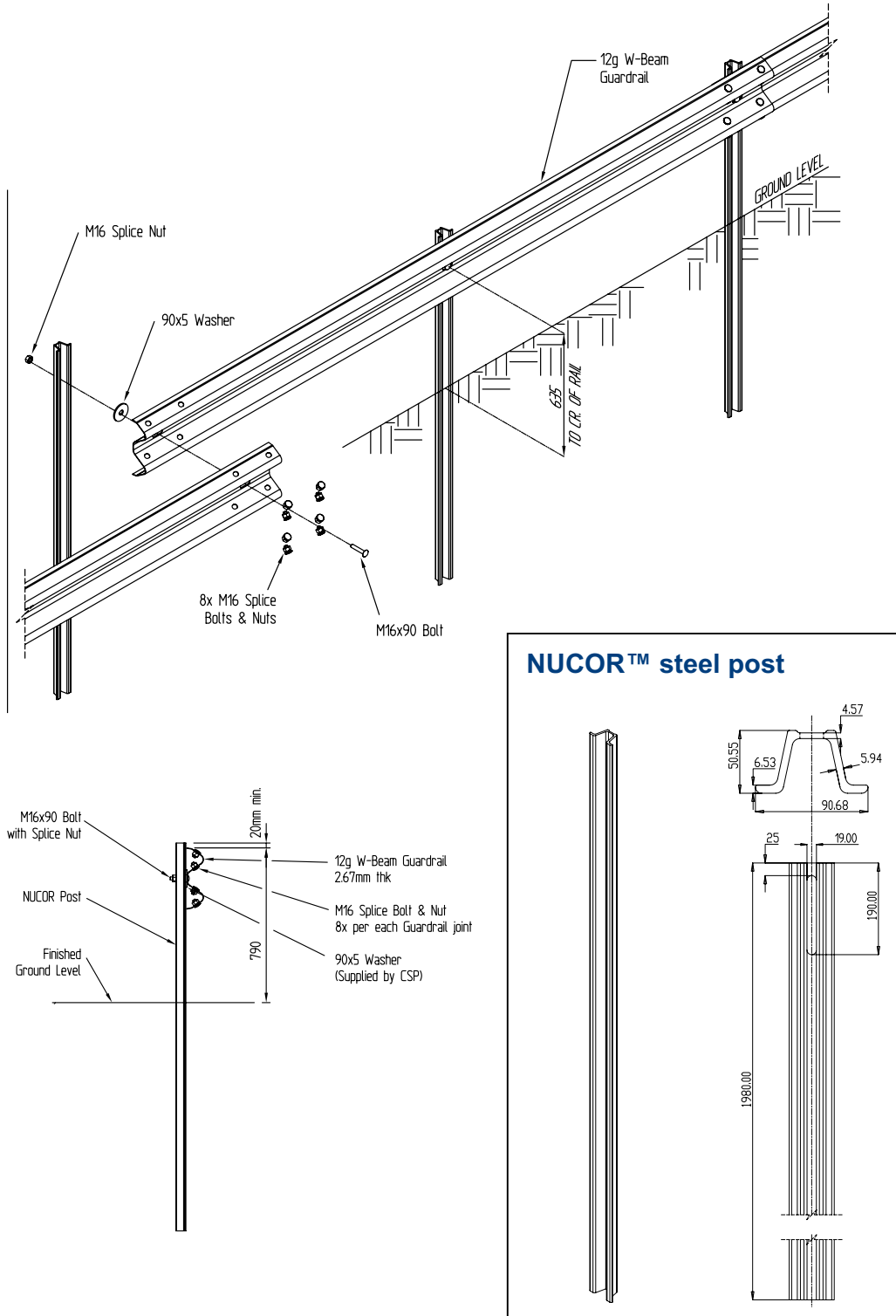


Traffic Control



Nu-Guard 31™ Steel Guardrail System

Nu-Guard 31™ system assembly



More information on **Nu-Guard 31™** can be found at www.cspacific.co.nz or call **0800 655 200**

CSP Pacific | Nu-Guard 31™ | March 12

Leading road side and barrier systems supplier

CSP PACIFIC

306 Neilson St, Onehunga,
PO Box 12 949, Penrose,
Auckland 1642, New Zealand
www.cspacific.co.nz



Columns



Multiplate



Retaining



Hire



Barriers

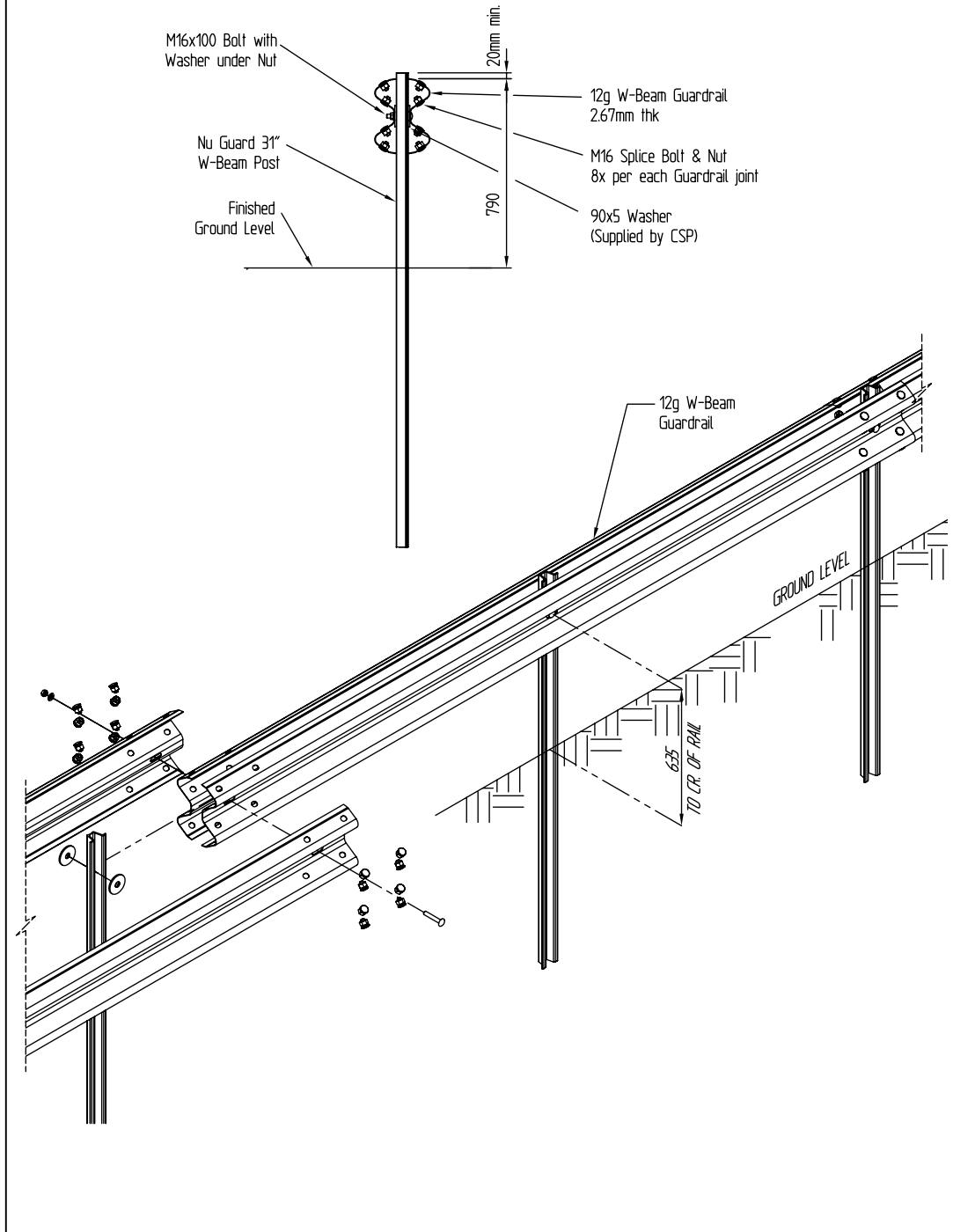


Traffic Control



Nu-Guard 31™ Steel Guardrail System

Nu-Guard 31™ median system assembly



More information on **Nu-Guard 31™** can be found at www.cspacific.co.nz or call **0800 655 200**

Leading road side and barrier systems supplier

CSP PACIFIC

306 Neilson St, Onehunga,
PO Box 12 949, Penrose,
Auckland 1642, New Zealand
www.cspacific.co.nz



Columns



Multiplate



Retaining



Hire



Barriers



Traffic Control