



Anchorbloc™

Anchorbloc™ is an innovative, simple and economic solution to one of the most basic civil engineering tasks: retaining or protecting embankments.

A modular concrete block designed to form an integrated segmental retaining wall system, **Anchorbloc™** are versatile in their application and provide considerable advantages over other retaining wall systems.

Features

- » Straight or curved layouts
- » Fast construction (typically 85m² of wall per day with a 2 person team)
- » No on-site concrete required
- » Cost competitive
- » Used as a gravity wall or facing for a reinforced earth slope
- » Ability to dismantle and re-erect, for use in temporary situations or where required to be reconfigured
- » Can be used for submerged foundations
- » Accommodates moderate differential settlement
- » Can easily install roadside safety barriers or security fencing close to the top of the outside face of the wall using the void.
- » Ability to plant vegetation in the void to soften the visual impact of the wall.
- » Can integrate with geotextiles for a full structural connection.
- » Optional tension ties to the back of the face of the block for improved performance.
- » Manufactured throughout New Zealand
- » Design software and support available
- » Suitable for:
 - Cut and fill projects on highways
 - Slope stabilisation
 - Road widening
 - Erosion protection for coast & stream applications
 - Construction of batter slopes
 - River bank stabilisation
 - Roadside embankments
 - Bridge abutments

Specifications

- » Block Weight (void unfilled): 1500kg
- » Block Weight (void filled): 2020kg
- » Face area: 1.2m²
- » Block Dimensions (H x W x D): 1.0m x 1.2m x 0.9m
- » Block Volume: 0.61m³
- » Void Volume: 0.3m³
- » Set back: 150mm
- » Lifting points fitted: 2 x 2.5 tonne rated
- » Geogrid attachment points at 500mm centres up the height of the block
- » Half high and half width blocks are available on request



More information on **Anchorbloc™** can be found at www.cspacific.co.nz or call **0800 655 200**

Leading road side and barrier systems supplier

CSP PACIFIC

306 Neilson St, Onehunga,
PO Box 12 949, Penrose,
Auckland 1642, New Zealand
www.cspacific.co.nz



Columns



Multiplate



Retaining



Hire



Barriers

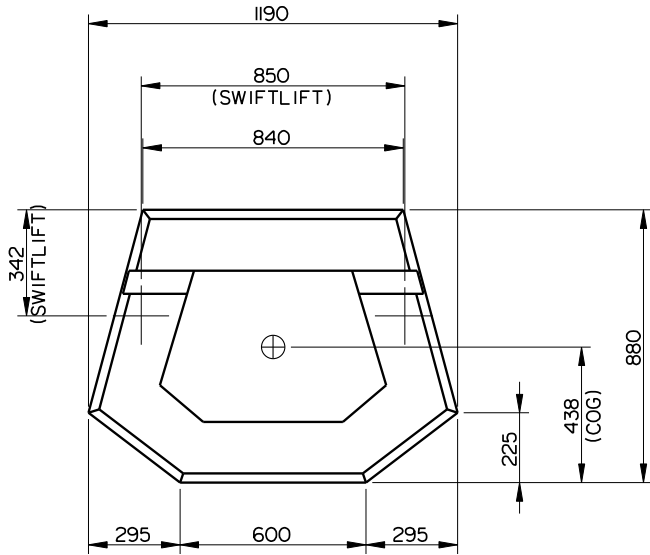


Traffic Control

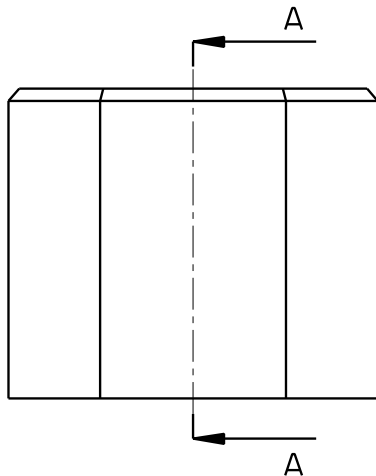
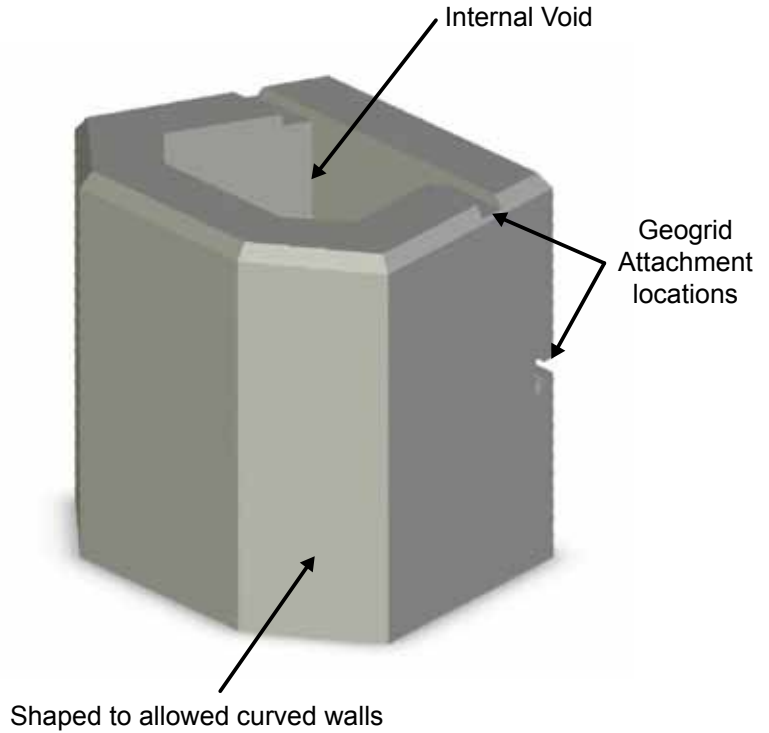


Anchorbloc™

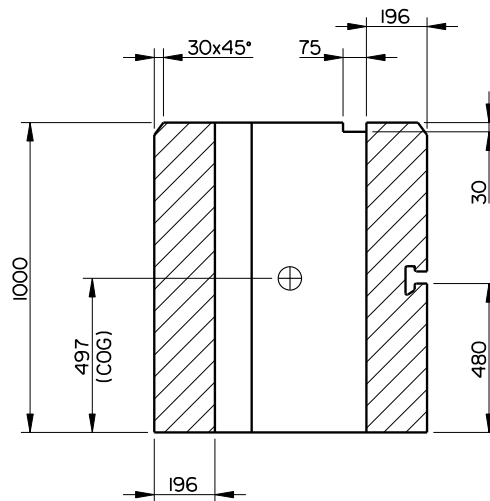
Anchorbloc™ Geometry



PLAN



ELEVATION



SECTION A-A

More information on **Anchorbloc™** can be found at www.cspacific.co.nz or call **0800 655 200**

Leading road side and barrier systems supplier

CSP PACIFIC

306 Neilson St, Onehunga,
PO Box 12 949, Penrose,
Auckland 1642, New Zealand
www.cspacific.co.nz



Columns



Multiplate



Retaining



Hire



Barriers



Traffic Control